

TSB6000



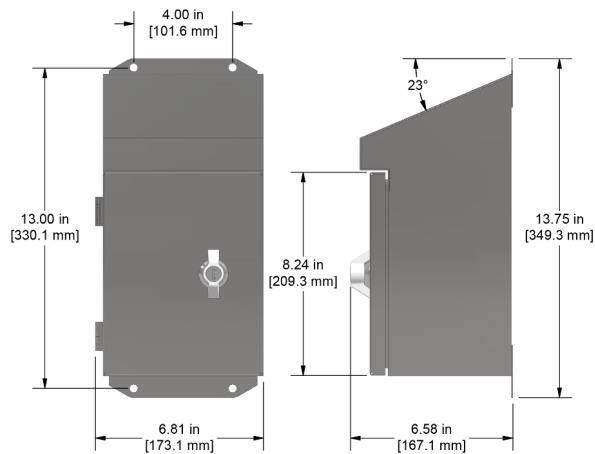
VIBRATION ANALYSIS HARDWARE

Triaxial Input & Output, Sloped Top, Modular Vibration Switch Box, Stainless Steel Enclosure, NEMA 4X (IP66) Rated, Includes TSB-MOD4 Switch Module for 1-4 Triaxial Sensor Inputs



Product Features

- Easily switched output for up to 4 triaxial sensors
- Internally earth grounded for noise reduction
- ▶ Designed to prevent dust and dirt build-up on the roof of the box
- ▶ Provides a switched output from remotely installed triaxial sensors to a data collector through 3 BNC jacks and 4 Pin connector



Specifications

Temperature Range	-58 to 180 °F (-50 to 82 °C)
Enclosure Material	Stainless Steel
Inputs	Terminal Block, 5 Terminations per Triaxial Sensor (X +, Y +, Z +, COM, GND)
Outputs	3 BNC Jacks & 4 Pin Connector
Continuous Output	Multi-Pin Connector for Interface with Online Systems (optional) Requires JB933-1A
Rating	NEMA 4X
Door Closure	Twist Lock
Dimensions	6.24 x 13.75 x 6.12 in. (159 x 349 x 155 mm)
Resistance	Resistant to Hose Directed Fluid and Corrosion

Ordering Information

TSB - - - -

Enclosure	Channels	Connector Compatibility	Input Options	Output Options
6000 - Stainless Steel Enclosure with Slope Top	04 - 4 Channels	J4 - J4X Series Connector Compatible G4 - G4X Series Connector Compatibility D4 - Azima DLI Series Connector Compatible M4 - M4X Series Connector Compatible	A - User Input* B - 1 In. Conduit Fitting** C - Cord Grips S - Stainless Steel Cord Grips†	A - None B - 1 In. Conduit Fitting

*No punch outs are provided in the enclosure for cable entry. User may install any fitting required.
 **For use with rigid body conduit.
 †Stainless steel enclosures only.

Backed by our Unconditional Lifetime Warranty

www.ctconline.com | sales@ctconline.com | 585-924-5900