

# TSB3000



VIBRATION ANALYSIS HARDWARE

Triaxial Input & Output Modular Vibration Switch Box, Fiberglass Enclosure, NEMA 4X (IP66) Rated, Includes TSB-MOD12 Switch Module for 1-12 Triaxial Sensor Inputs

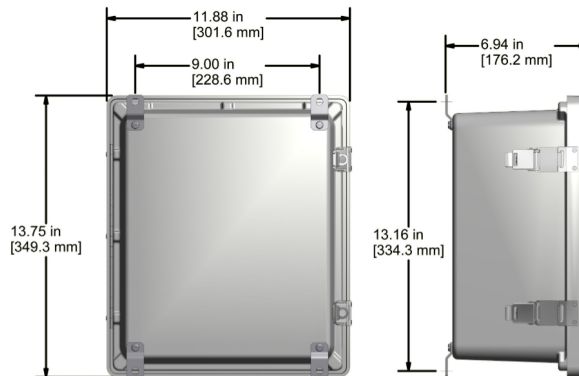


## Product Features

For interface with Azima DLI Data collector Cables

Internally earth grounded for noise reduction

- ▶ Provides a switched output from remotely installed triaxial sensors to a data collector through 3 BNC jacks and 4 Pin connector
- ▶ Option for Continuous Monitoring Available
- ▶ Quick-release input terminal blocks



## Specifications

Temperature Range	-58 to 180 °F (-50 to 82 °C)
Enclosure Material	Fiberglass
Inputs	5 Terminations per Triaxial Sensor (X, Y, Z, COM, GND)
Outputs	3 x BNC Jacks and 1 x 4 Pin Connector
Continuous Output	Optional T Plug
Sensor Input Options	12
Rating	NEMA 4X (IP66)
Door Closure	Snap Latch
Dimensions	11.88 x 13.75 x 6.94 in. (302 x 349 x 176 mm)
Cord Grips	Optional
Resistance	Resistant to Hose Directed Fluid and Corrosion

## Ordering Information

TSB    -   -  -

Enclosure Type	Number of Channels	4 Pin Connector Compatibility	Input Options	Output Options
<b>3000</b> - Fiberglass enclosure <b>4000</b> - Stainless steel enclosure <b>3001</b> - Fiberglass enclosure, with continuous output option <b>4001</b> - Stainless Steel Enclosure, with continuous output option	12 - 12 triaxial sensors	<b>J4</b> - J4X Series connector compatible <b>G4</b> - G4X Series connector compatible <b>D4</b> - Azima DLI connector compatible <b>M4</b> - M4X Series connector compatible	<b>A</b> - User defined* <b>B</b> - Conduit fitting** <b>C</b> - Cord Grips <b>S</b> - Stainless steel cord grip†	<b>A</b> - None <b>B</b> - 1 in. conduit fitting

\*No punch outs are provided in the enclosure for cable entry. User may install any fitting required.  
 \*\*For use with rigid body conduit.  
 †Stainless Steel enclosure only.

Backed by our Unconditional Lifetime Warranty

[www.ctconline.com](http://www.ctconline.com) | [sales@ctconline.com](mailto:sales@ctconline.com) | 585-924-5900