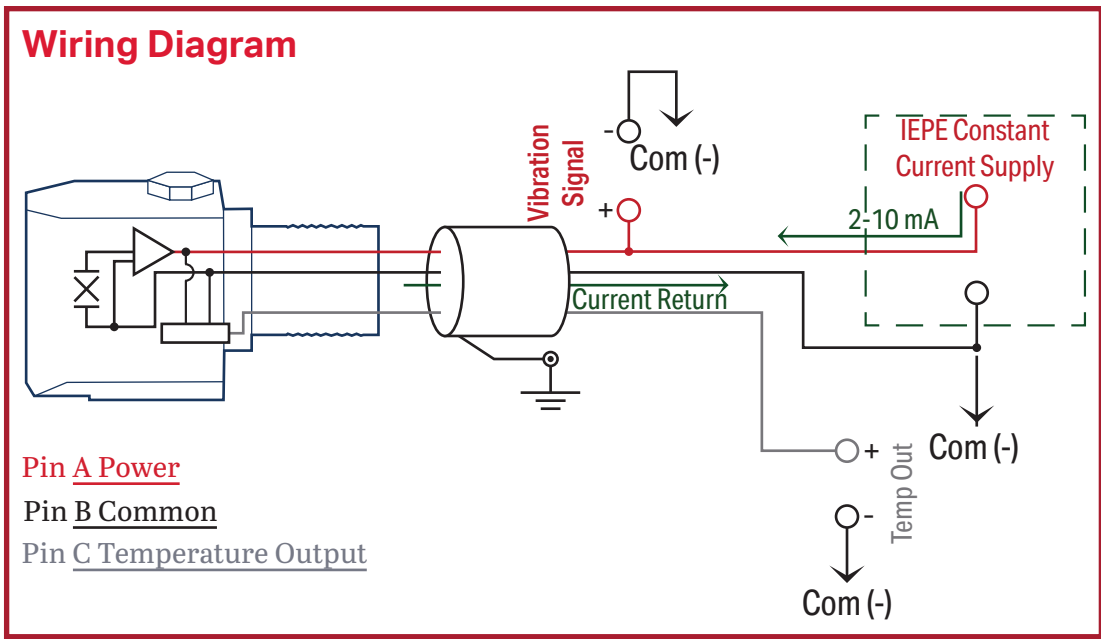


Key Details

- VOUT at 25 °C = 750 mV ±1 °C
- Measurement Range = -40 °C to 121 °C
- VOUT Tolerance (-40 °C to 0 °C) = +4 °C/-2 °C
- VOUT Tolerance (70 °C to 125 °C) = +4 °C/-2 °C
- VOUT Tolerance (0 °C to 70 °C) = ±2 °C

Note: this document is not reflective of temperature scaling for CTC TA900 Series or legacy TA100 Series sensors.



Key Details

- IEPE Open Circuit Voltage = 18 to 30 VDC
- IEPE Constant Current = 2 to 10 mA
- Temp out is a voltage output referenced to COM (-)

Scan to view TA200 Series sensors

