

SSB6000



VIBRATION ANALYSIS HARDWARE

Single Axis, Sloped Top, Modular Vibration Switch Box, Stainless Steel Enclosure, NEMA 4X (IP66) Rated, Includes SSB-MOD(X) for 1 to 12 Single Output Sensor Inputs

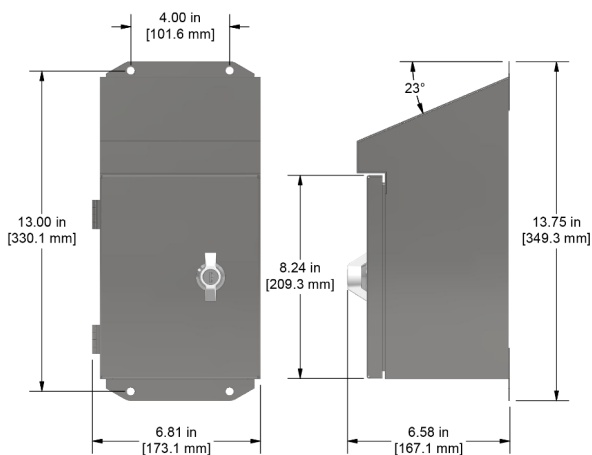


Product Features

Enclosures with DIN rail mountable modules for multiple inputs and a switched output

Internally earth grounded for noise reduction

- ▶ Sloped top prevents dust and dirt build-up
- ▶ Provides a switched output from remotely installed sensors to a data collector through a BNC and a 2 Pin MIL spec connector



Specifications

Temperature Range	-58 to 180 °F (-50 to 82 °C)
Enclosure Material	Stainless Steel
Inputs	Terminal Block 3 Inputs per Channel (+, -, Shield)
Outputs	BNC Jack and 2 Pin MIL
Continuous Output	Multi-Pin Connector for Interface with Online Systems (Optional) (Requires JB907-3A)
Sensor Input Options	4 - 12 Channels
Rating	NEMA 4X
Door Closure	Twist Lock
Dimensions	6.24 x 13.75 x 6.12 in. (159 x 349 x 155 mm)
Resistance	Resistant to Hose Directed Fluid and Corrosion

Ordering Information

SSB

Enclosure Type	Sensor Inputs (Single Output)	Input Options (Spring Cage Terminal Blocks)	Input Options (Continuous Output)
1000 = Fiberglass Enclosure 2000 = Stainless Steel Enclosure 6000 = Stainless Steel Enclosure, Sloped Top	04 = 4 Sensors 06 = 6 Sensors 08 = 8 Sensors 10 = 10 Sensors 12 = 12 Sensors	A = User Defined* B = Conduit Fitting** C = Nylon Cord Grips N = Nickel Plated Brass Cord Grips† S = Stainless Steel Cord Grips†	M = User Defined* P = Conduit Fitting** R = Nylon Cord Grips V = Nickel Plated Brass Cord Grips† T = Stainless Steel Cord Grips†

*No punch outs are provided in the enclosure for cable entry. User may install any fitting required

**For use with conduit.

†Stainless Steel enclosures only

Backed by our Unconditional Lifetime Warranty

www.ctconline.com | sales@ctconline.com | 585-924-5900