

SSB4000



VIBRATION ANALYSIS HARDWARE

Single Axis Modular Vibration Switch Box, Stainless Steel Enclosure, NEMA 4X (IP66) Rated, Includes up to 4 SSB-MOD(X) Switch Modules for 12 to 48 Single Output Sensor Inputs

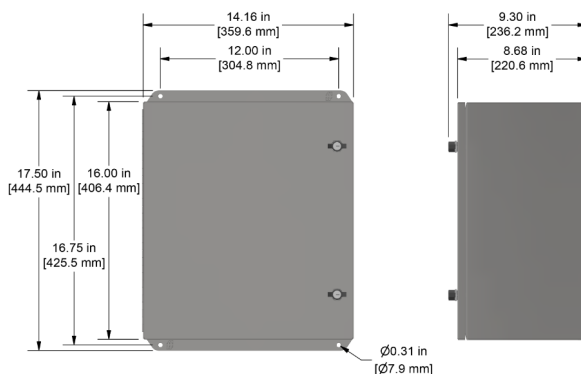


Product Features

Enclosure with DIN Rail Mountable Modules for Multiple Inputs and a Switched Output

Internally earth grounded for noise reduction

- ▶ Provides a switched output from remotely installed sensors to a data collector through a BNC and a 2 Pin MIL connector
- ▶ Accepts inputs from Sensors, Proximity Probes, & Temperature Probes
- ▶ Quick-release input terminal blocks



Specifications

Temperature Range	-58 to 180 °F (-50 to 82 °C)
Enclosure Material	Stainless Steel
Inputs	Terminal Block 3 Inputs per Channel (+ - Shield)
Outputs	BNC Jack and 2 Pin MIL
Continuous Output	Optional Multi-Pin connector for Interface with Online Systems (requires JB907-3A)
Sensor Input Options	12, 24, 36, 48
Rating	NEMA 4X (IP66)
Door Closure	Twist Latch
Dimensions	14.16 x 17.50 x 9.30 in. (360 x 445 x 236 mm)
Cord Grips	Optional
Resistance	Resistant to Hose Directed Fluid and Corrosion

Ordering Information

SSB

<div style="border: 1px solid black; width: 20px; height: 20px; display: inline-block;"></div> <div style="border: 1px solid black; width: 20px; height: 20px; display: inline-block;"></div> <div style="border: 1px solid black; width: 20px; height: 20px; display: inline-block;"></div>	-	<div style="border: 1px solid black; width: 20px; height: 20px; display: inline-block;"></div>	<div style="border: 1px solid black; width: 20px; height: 20px; display: inline-block;"></div>
Enclosure Type 3000 = Fiberglass Enclosure, Extended Capacity 4000 = Stainless Steel Enclosure, Extended Capacity	Sensor Inputs (Single Output) 12 = 12 Sensors 24 = 24 Sensors 36 = 36 Sensors 48 = 48 Sensors	Input Options (Spring Cage Terminal Blocks) A = User Defined* B = Conduit Fitting** C = Nylon Cord Grips N = Nickel Plated Brass Cord Grips† S = Stainless Steel Cord Grips†	Input Options (Continuous Output) M = User Defined* P = Conduit Fitting** R = Nylon Cord Grips V = Nickel Plated Brass Cord Grips† T = Stainless Steel Cord Grips†

*No punch outs are provided in the enclosure for cable entry. User may install any fitting required

**For use with conduit.

†Stainless Steel enclosures only

Backed by our Unconditional Lifetime Warranty

www.ctconline.com | sales@ctconline.com | 585-924-5900