

# SSB2000



VIBRATION ANALYSIS HARDWARE

Single Axis Modular Vibration Switch Box, Stainless Steel Enclosure, NEMA 4X (IP66) Rated, Includes SSB-MOD(X) Switch Module for 1 to 12 Single Output Sensor Inputs

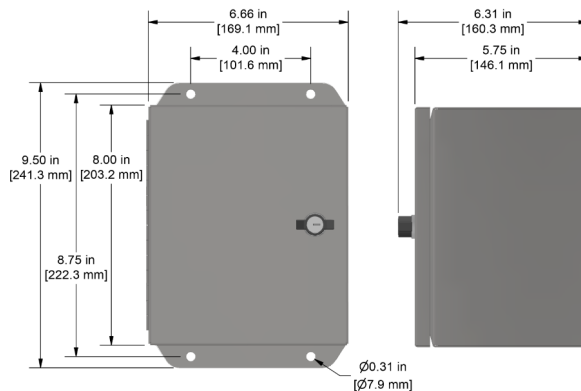


## Product Features

Enclosure with DIN Rail Mountable Modules for Multiple Inputs and a Switched Output

Internally earth grounded for noise reduction

- ▶ Provides a switched output from remotely installed sensors to a data collector through a BNC and a 2 Pin MIL connector
- ▶ Accepts inputs from Sensors, Proximity Probes, & Temperature Probes
- ▶ Quick-release input terminal blocks



## Specifications

Temperature Range	-58 to 180 °F (-50 to 82 °C)
Enclosure Material	Stainless Steel
Inputs	Terminal Block 3 Inputs per Channel (+, -, Shield)
Outputs	BNC Jack and 2 Pin MIL
Continuous Output	Optional Multi-Pin Connector for Interface with Online Systems (Requires JB907-3A)
Sensor Input Options	4, 6, 8, 12
Rating	NEMA 4X (IP66)
Door Closure	Twist Lock
Dimensions	6.66 x 9.50 x 6.31 in. (169 x 241 x 160 mm)
Cord Grips	Optional
Resistance	Resistant to Hose Directed Fluid and Corrosion

## Ordering Information

SSB



Enclosure Type	Sensor Inputs (Single Output)	Input Options (Spring Cage Terminal Blocks)	Input Options (Continuous Output)
<b>1000</b> = Fiberglass Enclosure <b>2000</b> = Stainless Steel Enclosure <b>6000</b> = Stainless Steel Enclosure, Sloped Top	<b>04</b> = 4 Sensors <b>06</b> = 6 Sensors <b>08</b> = 8 Sensors <b>10</b> = 10 Sensors <b>12</b> = 12 Sensors	<b>A</b> = User Defined* <b>B</b> = Conduit Fitting** <b>C</b> = Nylon Cord Grips <b>N</b> = Nickel Plated Brass Cord Grips† <b>S</b> = Stainless Steel Cord Grips†	<b>M</b> = User Defined* <b>P</b> = Conduit Fitting** <b>R</b> = Nylon Cord Grips <b>V</b> = Nickel Plated Brass Cord Grips† <b>T</b> = Stainless Steel Cord Grips†

\*No punch outs are provided in the enclosure for cable entry. User may install any fitting required

\*\*For use with conduit.

†Stainless Steel enclosures only

Backed by our Unconditional Lifetime Warranty

www.ctconline.com | sales@ctconline.com | 585-924-5900