

SCE410 Series

Stainless Steel Enclosure for 1 to 8 CTC Signal Conditioners, NEMA 4X (IP66) Rated



VIBRATION ANALYSIS HARDWARE

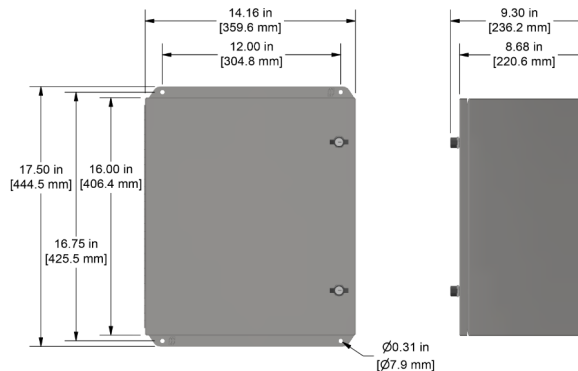


Product Features

Provides 4-20 mA Signals along with dynamic outputs from remotely installed accelerometers to PLC/DCS systems and portable data collectors

Accommodates up to 8 CTC Signal Conditioners factory wired to power supply

- ▶ Accepts up to 8 single output sensor inputs for a maximum of 8 channels of measurement
- ▶ Includes DC Power Supply with 100-240 VAC Input
- ▶ Signal conditioners sold separately



Specifications

Temperature Range	15 to 140 °F (-10 to 60 °C)
Enclosure Material	Stainless Steel
Power	100-240 VAC
Inputs	Vibration Input: 1 Input/channel
Outputs	BNC Jack for Dynamic Signal and Screw Terminal Blocks for 4-20 mA outputs
Sensor Input Options	1 - 8 Channels
Rating	NEMA 4X (IP66)
Door Closure	Twist Latch
Dimensions	14.16 x 17.50 x 8.68 in (360 x 445 x 221 mm)
Cord Grips	Nylon, Stainless Steel & Nickel Options Available
Resistance	Resistant to Hose Directed Fluid and Corrosion

Ordering Information

SCE	□	□	□	- □ □	- □	□
Enclosure Material	Power Supply	Signal Conditioner Type¹	Signal Conditioner Count	Input Options	Output Options	
3 = Fiberglass Enclosure, Large Size 4 = Stainless Steel Enclosure, Large Size	0 = Standard 4-20mA or DC Voltage Output without Power Supply 1 = Standard 4-20mA or DC Voltage Output with Power Supply	1 = SC310 Series Single Band Vibration Output, with Single Vibration Signal Input 2 = SC310 Series Single Band Vibration with Temperature Output, with Dual Vibration and Temperature Signal Input 3 = SC320 Series Dual Vibration Band Output, with Single Vibration Signal Input 4 = SC320 Series Dual Vibration Band Output, with Dual Vibration and Temperature Signal Input 5 = SC150 Series Single Vibration Band Output, With Single Vibration 100 mV/g Signal Input	01 = 1 Signal Conditioner 02 = 2 Signal Conditioners 03 = 3 Signal Conditioners 04 = 4 Signal Conditioners 05 = 5 Signal Conditioners 06 = 6 Signal Conditioners 07 = 7 Signal Conditioners 08 = 8 Signal Conditioners	A = User Defined* B = Conduit Fitting** C = Nylon Cord Grips N = Nickel Plated Brass Cord Grips ³ S = Stainless Steel Cord Grips ³	A = User Defined* B = Conduit Fitting**	
<small> *All CTC Signal Conditioners only accept input from a single sensor. A dual output accelerometer is required for receiving vibration and temperature data. **No punch outs are provided in the enclosure for cable entry. User may install any fitting required. **For use with conduit. ¹Stainless Steel enclosures only </small>						

Backed by our Unconditional Lifetime Warranty

www.ctconline.com | sales@ctconline.com | 585-924-5900