

SCE310 Series

Fiberglass Enclosure for 1 to 8 CTC Signal Conditioners, NEMA 4X (IP66) Rated



VIBRATION ANALYSIS HARDWARE

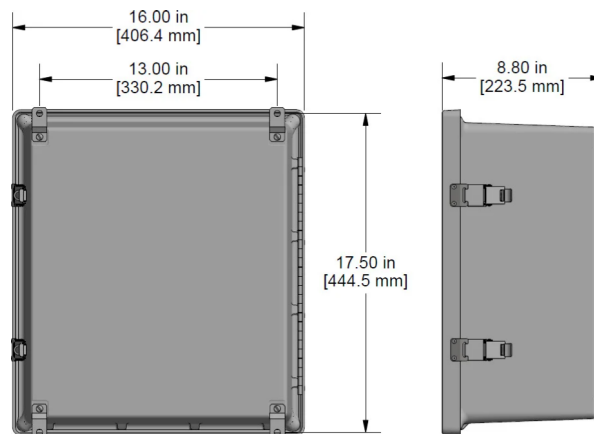


Product Features

Provides 4-20 mA Signals along with dynamic outputs from remotely installed accelerometers to PLC/DCS systems and portable data collectors

Accommodates up to 8 CTC Signal Conditioners factory wired to power supply

- ▶ Accepts up to 8 single output sensor inputs for a maximum of 8 channels of measurement
- ▶ Includes DC Power Supply with 100-240 VAC Input
- ▶ Signal conditioners sold separately



Specifications

Temperature Range	15 to 140 °F (-10 to 60 °C)
Enclosure Material	Fiberglass
Power	100-240 VAC
Inputs	Vibration Input: 1 Input/channel
Outputs	BNC Jack for Dynamic Signal and Screw Terminal Blocks for 4-20 mA outputs
Sensor Input Options	1 - 8 Channels
Rating	NEMA 4X
Door Closure	Twist Latch
Dimensions	16.00 x 17.50 x 8.80 in. (406 x 445 x 224 mm)
Cord Grips	Nylon Cord Grips Available
Resistance	Resistant to Hose Directed Fluid and Corrosion

Ordering Information

Enclosure Material	Power Supply	Signal Conditioner Type*	Signal Conditioner Count	Input Options	Output Options
3 = Fiberglass Enclosure, Large Size 4 = Stainless Steel Enclosure, Large Size	0 = Standard 4-20mA or DC Voltage Output without Power Supply 1 = Standard 4-20mA or DC Voltage Output with Power Supply	1 = SC310 Series Single Band Vibration Output, with Single Vibration Signal Input 2 = SC310 Series Single Band Vibration with Temperature Output, with Dual Vibration and Temperature Signal Input 3 = SC320 Series Dual Vibration Band Output, with Single Vibration Signal Input 4 = SC320 Series Dual Vibration Band Output, with Dual Vibration and Temperature Singal Input 5 = SC150 Series Single Vibration Band Output, With Single Vibration 100 mV/g Signal Input	01 = 1 Signal Conditioner 02 = 2 Signal Conditioners 03 = 3 Signal Conditioners 04 = 4 Signal Conditioners 05 = 5 Signal Conditioners 06 = 6 Signal Conditioners 07 = 7 Signal Conditioners 08 = 8 Signal Conditioners	A = User Defined* B = Conduit Fitting** C = Nylon Cord Grips N = Nickel Plated Brass Cord Grips† S = Stainless Steel Cord Grips†	A = User Defined* B = Conduit Fitting**

*All CTC Signal Conditioners only accept input from a single sensor. A dual output accelerometer is required for receiving vibration and temperature data.
 **No punch outs are provided in the enclosure for cable entry. User may install any fitting required.
 †For use with conduit.
 ‡Stainless Steel enclosures only

Backed by our Unconditional Lifetime Warranty

www.ctconline.com | sales@ctconline.com | 585-924-5900