

# SCE110 Series

Fiberglass Enclosure for 1 to 4 CTC Signal Conditioners, NEMA 4X (IP66) Rated



VIBRATION ANALYSIS HARDWARE

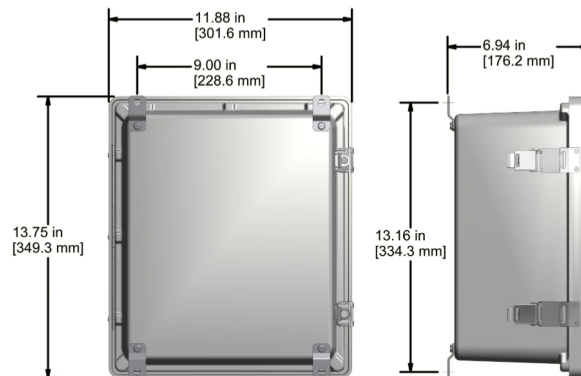


## Product Features

Provides 4-20 mA Signals along with dynamic outputs from remotely installed accelerometers to PLC/DCS systems and portable data collectors

Accommodates up to 4 CTC Series Signal Conditioners factory wired to power supply

- ▶ Accepts up to 4 single output sensor inputs for a maximum of 4 channels of measurement
- ▶ Includes DC Power Supply with 100-240 VAC Input
- ▶ Signal conditioners sold separately



## Specifications

|                      |   |
|----------------------|---|
| Temperature Range    | 15 to 140 °F (-10 to 60 °C)   |
| Enclosure Material   | Fiberglass  |
| Power                | 100-240 VAC   |
| Inputs               | Vibration Input: 1 Input/Channel  |
| Outputs              | BNC Jack for Dynamic Signal and Screw Terminal Blocks for 4-20 mA Outputs |
| Sensor Input Options | 1 - 4 Channels  |
| Rating               | NEMA 4X   |
| Door Closure         | Twist Latch   |
| Dimensions           | 11.88 x 13.75 x 6.94 in.<br>(302 x 349 x 176 mm)                          |
| Cord Grips           | Nylon Cord Grips Available  |
| Resistance           | Resistant to Hose Directed Fluid and Corrosion                            |

## Ordering Information

| SCE  | □   | □   | □   | - | □□   | - | □  | □ |
|--|---|---|---|---|--|---|--|---|
| <b>Enclosure Material</b>  | <b>Power Supply</b>   | <b>Signal Conditioner Type<sup>§</sup></b>  | <b>Signal Conditioner Count</b>   |   | <b>Input Options</b>   |   | <b>Output Options</b>                      |   |
| 1 = Fiberglass Enclosure, Standard Size<br>2 = Stainless Steel Enclosure, Standard Size  | 0 = Standard 4-20mA or DC Voltage Output without Power Supply<br>1 = Standard 4-20mA or DC Voltage Output with Power Supply | 1 = SC310 Series Single Band Vibration Output, with Single Vibration Signal Input<br>2 = SC310 Series Single Band Vibration with Temperature Output, with Dual Vibration and Temperature Signal Input<br>3 = SC320 Series Dual Vibration Band Output, with Single Vibration Signal Input<br>4 = SC320 Series Dual Vibration Band Output, with Dual Vibration and Temperature Singal Input<br>5 = SC150 Series Single Vibration Band Output, With Single Vibration 100 mV/g Signal Input | 01 = 1 Signal Conditioner<br>02 = 2 Signal Conditioners<br>03 = 3 Signal Conditioners<br>04 = 4 Signal Conditioners |   | A = User Defined*<br>B = Conduit Fitting**<br>C = Nylon Cord Grips<br>N = Nickel Plated Brass Cord Grips <sup>†</sup><br>S = Stainless Steel Cord Grips <sup>†</sup> |   | A = User Defined*<br>B = Conduit Fitting** |   |
| <p><small>§All CTC Signal Conditioners only accept input from a single sensor. A dual output accelerometer is required for receiving vibration and temperature data.<br/>*No punch outs are provided in the enclosure for cable entry. User may install any fitting required.<br/>**For use with conduit.<br/>†Stainless Steel enclosures only</small></p> |   |   |   |   |  |   |  |   |

Backed by our Unconditional Lifetime Warranty

www.ctconline.com | sales@ctconline.com | 585-924-5900