

SC310 Series

USB Configurable, Single Band Vibration / Ultrasound Plus
Temperature Signal Conditioner



VIBRATION ANALYSIS HARDWARE

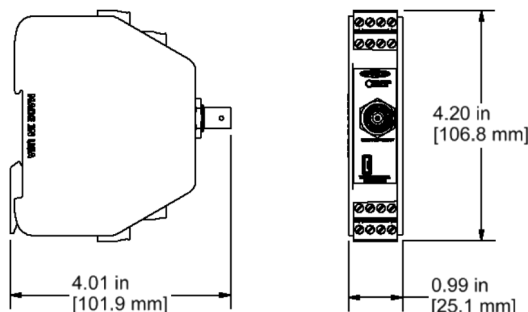


Product Features

Micro USB port and dedicated software allow for field configuration of input signal, scale values, filtering options and outputs; built-in IEPE supply for powering sensors can be toggled on or off configurations. **USB Configurator Cord Sold Separately

Provides process control signals to a PLC, DCS, or SCADA system that are proportional to the vibration levels set within the signal conditioner.

- ▶ Accepts a variety of signal inputs: acceleration, velocity, temperature and displacement; capable of monitoring ultrasound frequency signals up to 40 kHz
- ▶ Provides a user selectable band-pass filtered output from one single axis sensor input
- ▶ An additional built-in temperature output is a standard supplied feature, which may be utilized when using a CTC TA200 series dual output vibration and temperature sensor



Specifications

Output	4-20 mA Output Signal Proportional to Temperature Input (0.1-1.7 VDC Input) One Fully Configurable Process Control Output Signals for Vibration (0-20 mA, 4-20 mA, 0-5 VDC, or 0-10 VDC)
Humidity Range	0-95% Relative, Non-Condensing
Connectors	Screw Terminals, Detachable
Input Power	24 to 30 VDC Unregulated / 4W Absolute Maximum*
Sensor Power	24 VDC, 4 mA DC Sensor Excitation
Max Load Resistance	1000 ohms
Isolation	1000 VDC
Temperature Range	-40 to 176 °F (-40 to 80 °C)
Tolerance	No Load: ±2%* Scaling: ±6%*

*Maximum Tolerances Listed at 25 °C

Built to Order

*Condition: VDC = 30V, CH1 = 20 mA,
CH2 = 20 mA, Temperature out = 20 mA
Cooling is Required if Enclosure Temperature Exceeds 140 °F (60 °C)

Backed by our Unconditional Lifetime Warranty

www.ctconline.com | sales@ctconline.com | 585-924-5900