

SB282



VIBRATION ANALYSIS HARDWARE

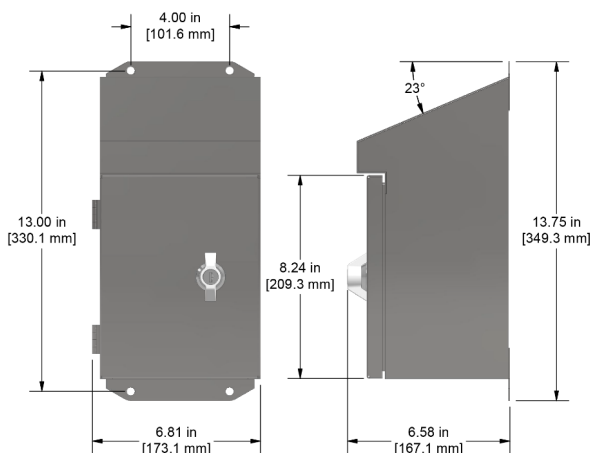
Dual Input & Output Sloped Top Vibration Switch Box, Stainless Steel Enclosure, NEMA 4X (IP66) Rated, Sensor Input Options: 4 to 8 Dual Output Sensor Inputs



Product Features

Switch Box for use with Dual Output (Temperature & Vibration) Sensors

- ▶ Accepts inputs from up to 12 Single Axis Sensors
- ▶ Built-in online expansion jacks included
- ▶ Quick-release input terminal blocks for easy field wiring



Specifications

Temperature Range	-58 to 180 °F (-50 to 82 °C)
Enclosure Material	Stainless Steel
Inputs	Terminal Block 4 Inputs per Channel (A, B, C, GND)
Outputs	2 BNC Jacks and 2 Pin MIL
Continuous Output	Multi-Pin Connector for Interface with Online Systems (Optional) (Requires JB906-1A/2A)
Sensor Input Options	4 - 8 Channels
Rating	NEMA 4X
Door Closure	Twist Lock
Dimensions	6.24 x 13.75 x 6.12 in. (159 x 349.2 x 155 mm)
Resistance	Resistant to Hose Directed Fluid and Corrosion

Ordering Information

SB282 -

Enclosure Type	Channels	Input Options
Stainless Steel Enclosure with Sloped Top	4 - 4 Channels 6 - 6 Channels 8 - 8 Channels	A - User Defined with Spring Cage Terminal Blocks* B - Conduit Fitting with Spring Cage Terminal Blocks** C - Cord Grips with Spring Cage Terminal Blocks S - Stainless Steel Cord Grips with Spring Cage Terminal Blocks* G - User Defined with Screw Terminal Blocks* H - Conduit Fitting with Screw Terminal Blocks** I - Cord Grips with Screw Terminal Blocks K - Stainless Steel Cord Grips with Screw Terminal Blocks*

*No punch outs are provided in the enclosure for cable entry. User may install any fitting required.
**For use with conduit.
*Stainless steel enclosure only.

Backed by our Unconditional Lifetime Warranty

www.ctconline.com | sales@ctconline.com | 585-924-5900