

SB262



VIBRATION ANALYSIS HARDWARE

Single Axis Sloped Top Vibration Switch Box, Stainless Steel Enclosure, NEMA 4X (IP66) Rated, Sensor Input Options: 4 to 12 Single Output Sensor Inputs

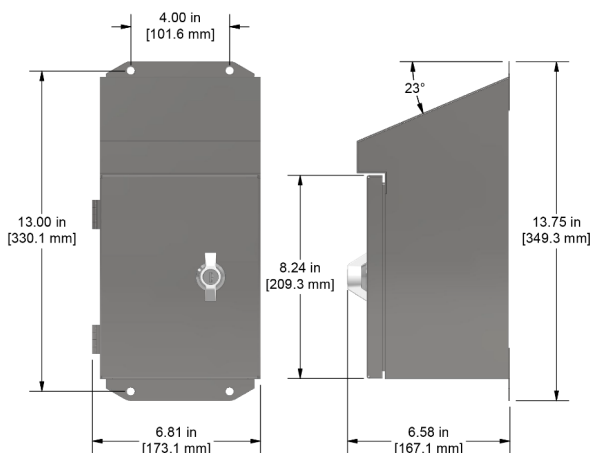


Product Features

Provides a switched output to a BNC and 2 Pin connector

Internally earth grounded for noise reduction

- ▶ Sloped top prevents dust and dirt build-up
- ▶ Provides a switched output from remotely installed sensors to a data collector through a BNC and a 2 Pin MIL spec connector
- ▶ Quick-release input terminal blocks



Specifications

Temperature Range	-58 to 180 °F (-50 to 82 °C)
Enclosure Material	Stainless Steel
Inputs	Terminal Block 3 Inputs per Channel (+, -, Shield)
Outputs	BNC Jack and 2 Pin MIL
Continuous Output	Multi-Pin Connector for Interface with Online Systems (Optional) (Requires JB905-1A/2A)
Sensor Input Options	4 - 12 Channels
Rating	NEMA 4X
Door Closure	Twist Lock
Dimensions	6.24 x 13.75 x 6.12 in. (159 x 349 x 155 mm)
Resistance	Resistant to Hose Directed Fluid and Corrosion

Ordering Information

Enclosure Type	Channels	Input Options
Stainless Steel Enclosure with Sloped Top	4 - 4 Channels 6 - 6 Channels 8 - 8 Channels 10 - 10 Channels 12 - 12 Channels	A - User Defined with Spring Cage Terminal Blocks* B - Conduit Fitting with Spring Cage Terminal Blocks** C - Cord Grips with Spring Cage Terminal Blocks E - BNC Cable Connection with Spring Cage Terminal Blocks S - Stainless Steel Cord Grips with Spring Cage Terminal Blocks* G - User Defined with Screw Terminal Blocks* H - Conduit Fitting with Screw Terminal Blocks** I - Cord Grips with Screw Terminal Blocks J - BNC Cable Connection with Terminal Blocks K - Stainless Steel Cord Grips with Screw Terminal Blocks*
*No punch outs are provided in the enclosure for cable entry. User may install any fitting required. **For use with conduit. *Stainless steel enclosure only.		

Backed by our Unconditional Lifetime Warranty

www.ctconline.com | sales@ctconline.com | 585-924-5900