

# SB242



VIBRATION ANALYSIS HARDWARE

Dual Input & Output Vibration Switch Box, Stainless Steel  
Enclosure, NEMA 4X (IP66) Rated, Sensor Input Options: 4 to 8 Dual  
Output Sensor Inputs

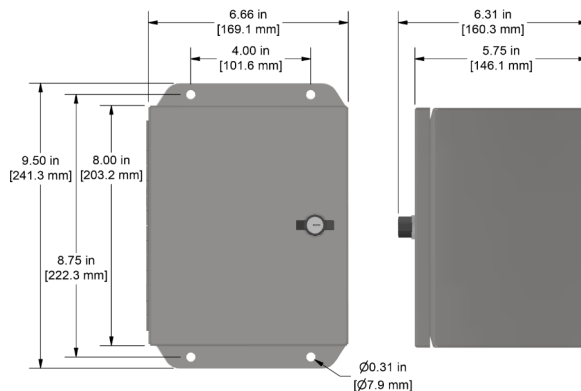


## Product Features

Easily Switched Access for Dual Output Sensors

Internally earth grounded for noise reduction

- ▶ Accepts inputs from up to 8 Dual Output Sensors (16 measurement channels)
- ▶ Provides a switched output from remotely installed dual output sensors to a data collector through a 2 BNC, or 1 BNC and 2 Pin MIL spec connector
- ▶ Quick-release input terminal blocks for easy field wiring



## Specifications

Temperature Range	-58 to 180 °F (-50 to 82 °C)
Enclosure Material	Stainless Steel
Inputs	Terminal Block 4 Inputs per Channel (A, B, C, GND)
Outputs	2 BNC Jacks and 2 Pin MIL (3 Pin MIL Option on Request)
Continuous Output	Multi-Pin Connector for Interface with Online Systems
Sensor Input Options	4, 6, 8
Rating	NEMA 4X
Door Closure	Flip Latch
Dimensions	6.66 x 9.50 x 6.31 in. (169 x 241 x 160 mm)
Resistance	Resistant to Hose Directed Fluid and Corrosion

## Ordering Information

SB    -

Enclosure Type	Number of Channels	Input Options
142 - Fiberglass Enclosure	4 - 4 Channels	A - User Defined Entry With Spring Cage Terminal Blocks*
242 - Stainless Steel Enclosure	6 - 6 Channels	B - Conduit Fitting Cable Entry With Spring Cage Terminal Blocks**
	8 - 8 Channels	C - Cord Grip Cable Entry With Spring Cage Terminal Blocks
		S - Stainless Steel Cord Grip Entry With Spring Cage Terminal Blocks*
		G - User Defined Entry With Screw Terminal Blocks*
		H - Conduit Fitting Cable Entry With Screw Terminal Blocks**
		I - Cord Grip Cable Entry With Screw Terminal Blocks
		K - Stainless Steel Cord Grip Entry With Screw Terminal Blocks*

\*No punch outs are provided in the enclosure for cable entry. User may install any fitting required.

\*\*For use with rigid body conduit.

\*Stainless Steel enclosure only

Backed by our Unconditional Lifetime Warranty

[www.ctconline.com](http://www.ctconline.com) | [sales@ctconline.com](mailto:sales@ctconline.com) | 585-924-5900