

SB202 Extended Capacity



VIBRATION ANALYSIS HARDWARE

Single Axis Vibration Switch Box, Stainless Steel Enclosure, NEMA 4X (IP66) Rated, Sensor Input Options: 24 to 48 Single Output Sensor Inputs

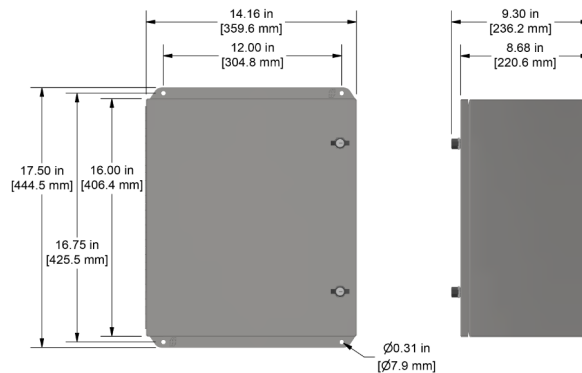


Product Features

Provides a switched output from remotely installed sensors to a data collector through a BNC and a 2 Pin MIL spec connector

Internally earth grounded for noise reduction

- ▶ Accepts inputs from up to 48 Single Axis Sensors
- ▶ Built-in online expansion jacks included
- ▶ Quick-release input terminal blocks for easy field wiring



Specifications

Temperature Range	-58 to 180 °F (-50 to 82 °C)
Enclosure Material	Stainless Steel
Inputs	Terminal Block 3 Inputs per Channel (+, -, Shield)
Outputs	BNC Jack and 2 Pin MIL
Continuous Output	Multi-Pin Connector for Interface with Online Systems
Sensor Input Options	24, 38, 48
Rating	NEMA 4X (IP66)
Door Closure	Twist Latch
Dimensions	14.16 x 17.50 x 9.30 in. (360 x 445 x 236 mm)
Cord Grips	Optional
Resistance	Resistant to Hose Directed Fluid and Corrosion

Ordering Information

SB -

Enclosure Type	Number of Channels	Input Options
102 - Fiberglass Enclosure	24 - 24 Channels	A - User Defined Entry With Spring Cage Terminal Blocks*
202 - Stainless Steel Enclosure	38 - 38 Channels	B - Conduit Fitting Cable Entry With Spring Cage Terminal Blocks**
	48 - 48 Channel	C - Cord Grip Cable Entry With Spring Cage Terminal Blocks
		E - BNC Cable Connection With Spring Cage Terminal Blocks
		S - Stainless Steel Cord Grip Entry With Spring Cage Terminal Blocks*
		G - User Defined Entry With Screw Terminal Blocks*
		H - Conduit Fitting Cable Entry With Screw Terminal Blocks**
		I - Cord Grip Cable Entry With Screw Terminal Blocks
		J - BNC Cable Connection With Screw Terminal Blocks
		K - Stainless Steel Cord Grip Entry With Screw Terminal Blocks*

*No punch outs are provided in the enclosure for cable entry. User may install any fitting required.
 **For use with rigid body conduit.
 †Stainless Steel enclosure only

Backed by our Unconditional Lifetime Warranty

www.ctconline.com | sales@ctconline.com | 585-924-5900