

# SB102 Extended Capacity

Single Axis Vibration Switch Box, Fiberglass Enclosure, NEMA 4X (IP66) Rated, Sensor Input Options: 24 to 48 Single Output Sensor Inputs



VIBRATION ANALYSIS HARDWARE

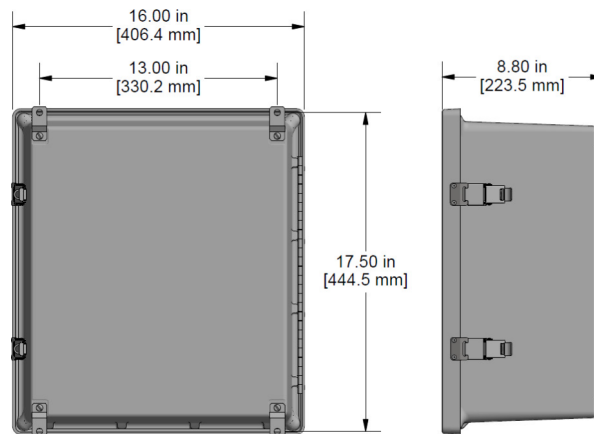


## Product Features

Provides a switched output from remotely installed sensors to a data collector through a BNC and a 2 Pin MIL spec connector

Internally earth grounded for noise reduction

- ▶ Accepts inputs from up to 48 Single Axis Sensors
- ▶ Built-in online expansion jacks included
- ▶ Quick-release input terminal blocks for easy field wiring



## Specifications

Temperature Range	-58 to 180 °F (-50 to 82 °C)
Enclosure Material	Fiberglass
Inputs	Terminal Block 3 Inputs per Channel (+, -, Shield)
Outputs	BNC Jack and 2 Pin MIL
Continuous Output	Multi-Pin Connector for Interface with Online Systems (Optional) (Requires JB905-1A/2A)
Sensor Input Options	24, 36, 48
Rating	NEMA 4X (IP66)
Door Closure	Snap Latch
Dimensions	16.00 x 17.50 x 8.80 in. (406 x 445 x 224 mm)
Cord Grips	Optional
Resistance	Resistant to Hose Directed Fluid and Corrosion

## Ordering Information

SB    -

Enclosure Type	Number of Channels	Input Options
102 - Fiberglass Enclosure	24 - 24 Channels	A - User Defined Entry With Spring Cage Terminal Blocks*
202 - Stainless Steel Enclosure	36 - 36 Channels	B - Conduit Fitting Cable Entry With Spring Cage Terminal Blocks**
	48 - 48 Channel	C - Cord Grip Cable Entry With Spring Cage Terminal Blocks
		E - BNC Cable Connection With Spring Cage Terminal Blocks
		S - Stainless Steel Cord Grip Entry With Spring Cage Terminal Blocks*
		G - User Defined Entry With Screw Terminal Blocks*
		H - Conduit Fitting Cable Entry With Screw Terminal Blocks**
		I - Cord Grip Cable Entry With Screw Terminal Blocks
		J - BNC Cable Connection With Screw Terminal Blocks
		K - Stainless Steel Cord Grip Entry With Screw Terminal Blocks*

\*No punch outs are provided in the enclosure for cable entry. User may install any fitting required.  
 \*\*For use with rigid body conduit.  
 †Stainless Steel enclosure only

Backed by our Unconditional Lifetime Warranty

[www.ctconline.com](http://www.ctconline.com) | [sales@ctconline.com](mailto:sales@ctconline.com) | 585-924-5900