

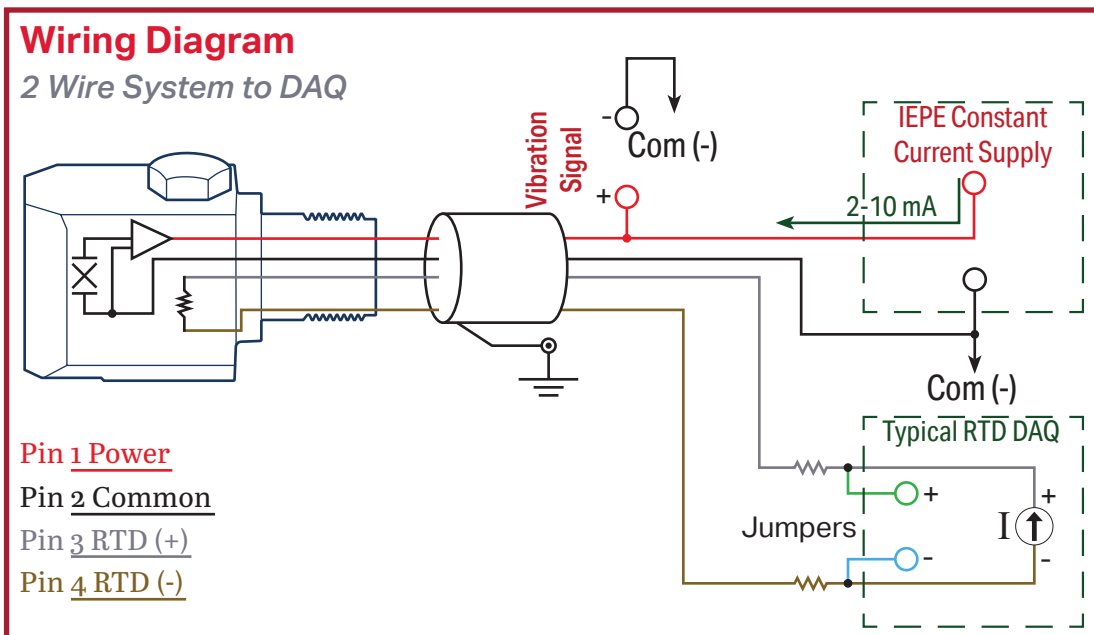
### Key Details

$R_0$  (Resistance at 0° C) = 100 Ω

$R_0$  Tolerance = ±0.2 Ω

Tolerance across Rest of Range = ±0.5 °C or 0.8%, whichever is greater

Measurement Range = -40 °C to 121 °C



### Key Details

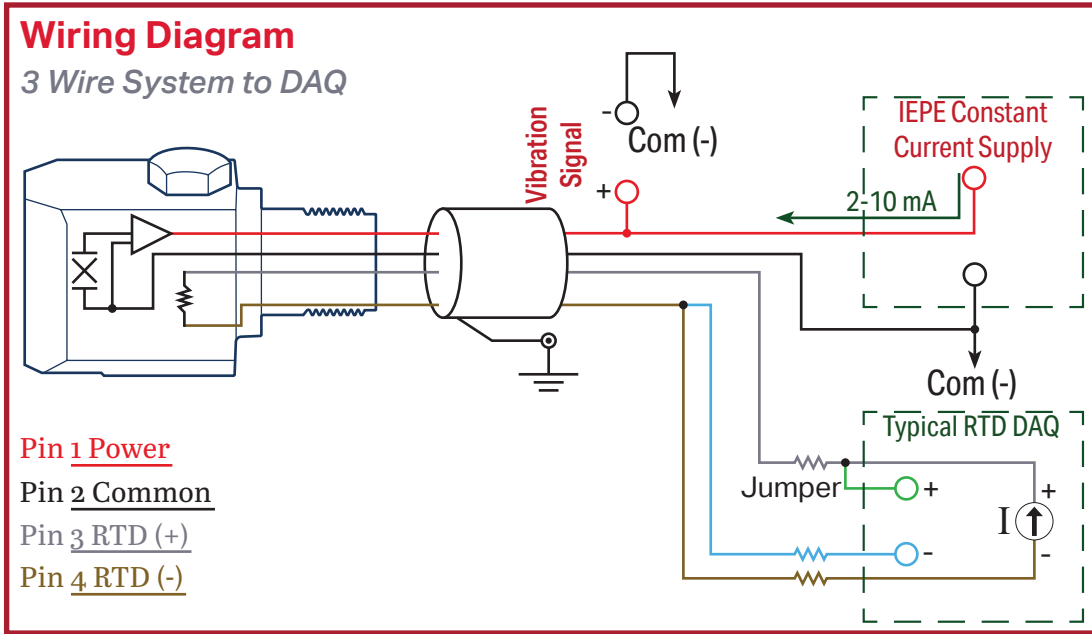
IEPE Open Circuit Voltage = 18 to 30 VDC

IEPE Constant Current = 2 to 10 mA

RTD drive current should not exceed 2 mA

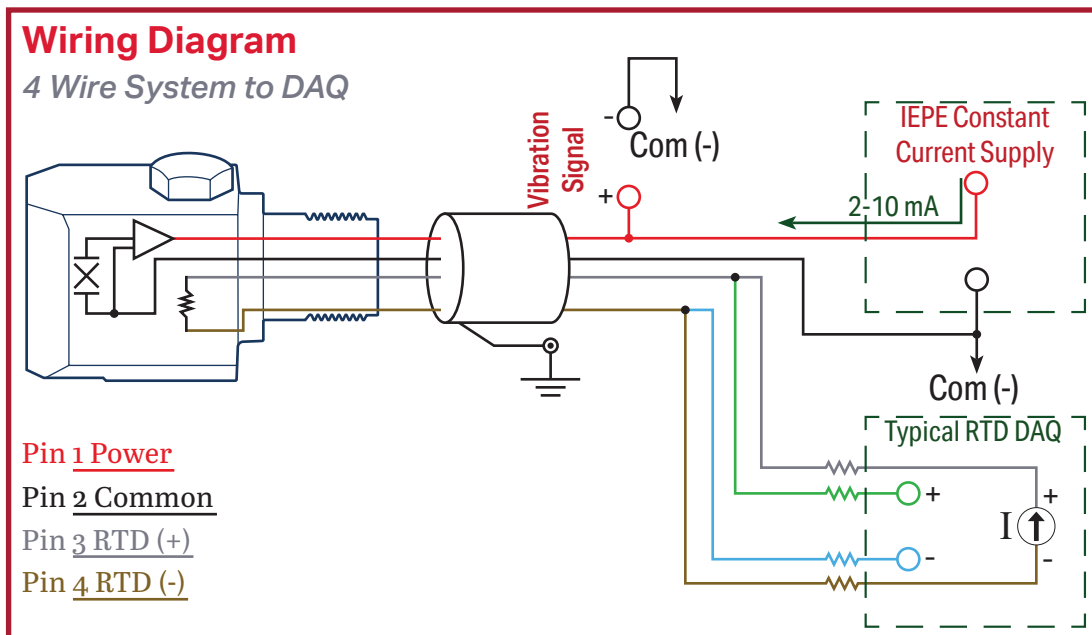
Scan to view TR100 and TR200 Series sensors





### Key Details

IEPE Open Circuit Voltage = 18 to 30 VDC  
 IEPE Constant Current = 2 to 10 mA  
 RTD drive current should not exceed 2 mA

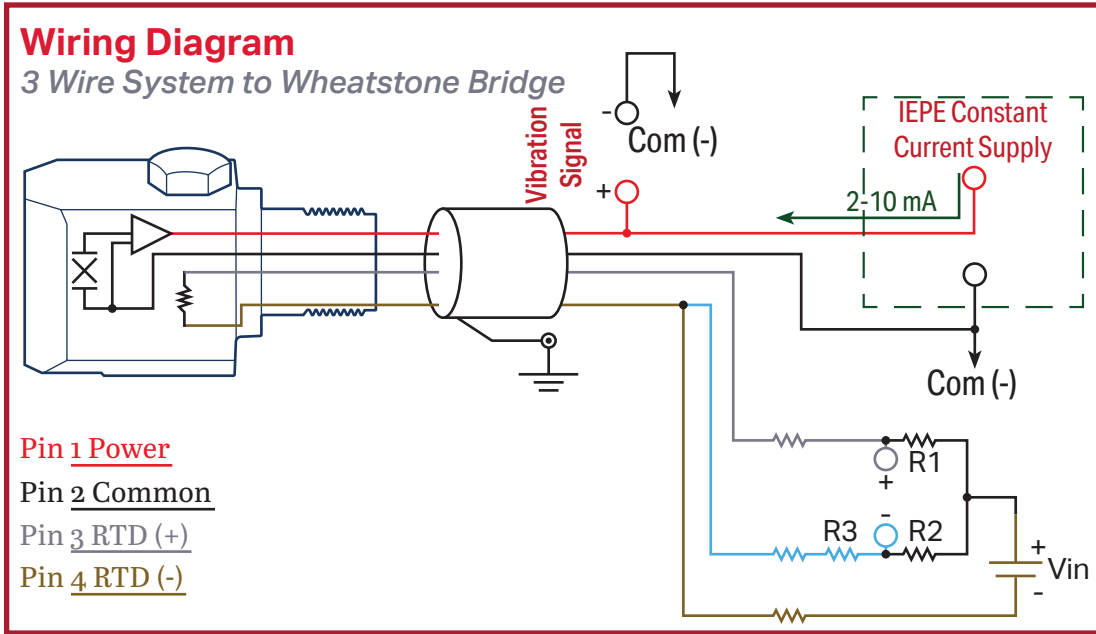


### Key Details

IEPE Open Circuit Voltage = 18 to 30 VDC  
 IEPE Constant Current = 2 to 10 mA  
 RTD drive current should not exceed 2 mA

Scan to view TR100 and TR200 Series sensors





### Key Details

IEPE Open Circuit Voltage = 18 to 30 VDC  
IEPE Constant Current = 2 to 10 mA  
RTD drive current should not exceed 2 mA

Scan to view TR100 and TR200 Series sensors

