

# PXE450P Extended Capacity

Proximity Probe Driver Enclosure with Power Supply Included, Stainless Steel, NEMA 4X (IP66) Rated, Channel Options 1 to 14

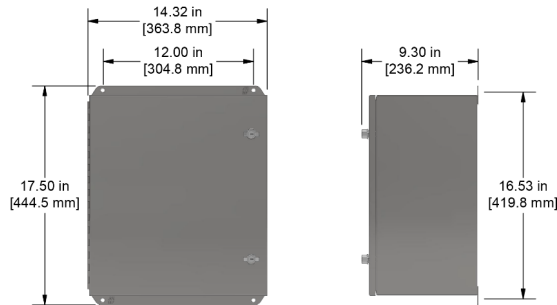


## Product Features

Accommodates up to 14 Proximity Probe Drivers

Enclosure protects components from dirt, dust, oil, and water

- ▶ For use with all PRO Line Proximity Probe Drivers
- ▶ Power Supply included: switchable 110/220 VAC to 100/240 VAC to 24VDC
- ▶ Proximity Probe Drivers Sold Separately. All Newly Purchased Drivers Come Fully Installed and Wired



## Specifications

Temperature Range	15 to 140 °F (-10 to 60 °C)
Enclosure Material	Stainless Steel
Power	100 - 240 VAC
Inputs	Screw Terminal Block Directly Into Proximity Probe
Outputs	BNC Jack for Dynamic Signal and Terminal Blocks
Sensor Input Options	1 - 14 Channels
Rating	NEMA 4X (IP66)
Door Closure	Keyed Slot
Dimensions	14.32 x 17.5 x 9.3 in. (363.8 x 444.5 x 236.2 mm)
Resistance	Resistant to Hose Directed Fluid and Corrosion

## Ordering Information

PXE	□□□□	□	-	□□□□	-	□	□
<b>Enclosure Type</b>	<b>Add Ons</b>	<b>Channels</b>	<b>Channels</b>	<b>Enclosure Entry</b>	<b>Output Options</b>		
350 = Fiberglass Enclosure 450 = Stainless Steel Enclosure	Blank = No Add Ons Included P = Power Supply	01 = 1 Channel 02 = 2 Channels 03 = 3 Channels 04 = 4 Channels 05 = 5 Channels 06 = 6 Channels 07 = 7 Channels	08 = 8 Channel 09 = 9 Channels 10 = 10 Channel 11 = 11 Channels 12 = 12 Channel 13 = 13 Channels 14 = 14 Channels	A = User Defined* B = ¾ in. Conduit Fitting** and ½ in. Conduit Fitting for Power† C = Nylon Cord Grips and ½ in. Conduit for Power†	A = User Defined* B = ¾ in. Conduit Fitting**		
<small>*No punch outs are provided in the enclosure for cable entry. User may install any fitting required. **For use with conduit. †½ in. conduit fitting included on power supply options only</small>							

Lifetime Warranty on Materials & Workmanship  
www.ctconline.com | sales@ctconline.com | 585-924-5900