

PXE210

Proximity Probe Driver Enclosure, Stainless Steel, NEMA 4X (IP66)
Rated, Channel Options 1 to 2

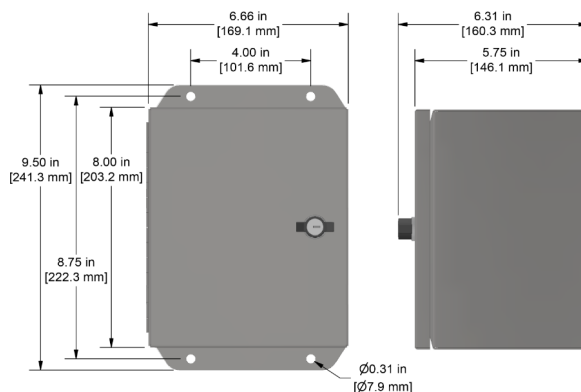


Product Features

Accommodates up to 2 Proximity Probe Drivers

Enclosure protects components from dirt, dust, oil and water

- ▶ Optional DC Power Supply, switchable 110/220 VAC to 100/240 VAC to 24VDC power supply
- ▶ Proximity Probe Drivers Sold Separately. All Newly Purchased Drivers Come Fully Installed and Wired



Specifications

Temperature Range	15° to 140°F (-10° to 60°C)
Enclosure Material	Stainless Steel
Power	100 - 240 VAC
Inputs	Screw Terminal Block Directly Into Proximity Probe
Outputs	BNC Jack for Dynamic Signal and Terminal Blocks
Sensor Input Options	1 - 2 Channels
Rating	NEMA 4X (IP66)
Door Closure	Keyed Slot
Resistance	Resistant to Hose Directed Fluid and Corrosion

Ordering Information

PXE	<input type="checkbox"/>	<input type="checkbox"/>	-	<input type="checkbox"/>	-	<input type="checkbox"/>	<input type="checkbox"/>
Enclosure Type	Add Ons	Channels	Enclosure Entry	Output Options			
110 = Fiberglass Enclosure 210 = Stainless Steel Enclosure	Blank = No Add Ons Included P = Power Supply	01 = 1 Channel 02 = 2 Channels	A = User Defined* B = ¼ in. Conduit Fitting** and ½ in. Conduit Fitting for Power† C = Nylon Cord Grips and ½ in. Conduit for Power†	A = User Defined* B = ¼ in. Conduit Fitting**			

*No punch outs are provided in the enclosure for cable entry. User may install any fitting required
**For use with conduit.
†½ in. conduit fitting included on power supply options only

Lifetime Warranty on Materials & Workmanship
www.ctconline.com | sales@ctconline.com | 585-924-5900