

PXE150T

Proximity Probe Driver Enclosure with Terminal Blocks Included, Fiberglass, NEMA 4X (IP66) Rated, Channel Options: 1 to 6

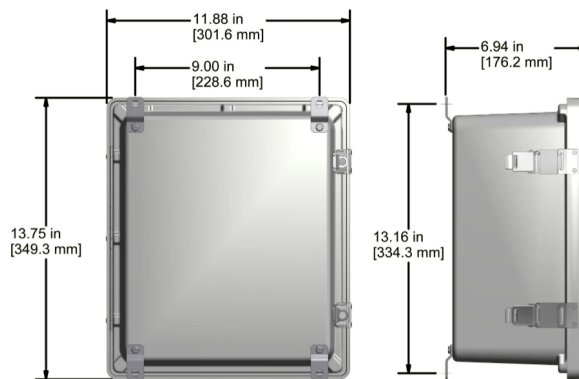


Product Features

Accommodates up to 6 Proximity Probe Drivers

Enclosure protects components from dirt, dust, oil, & water

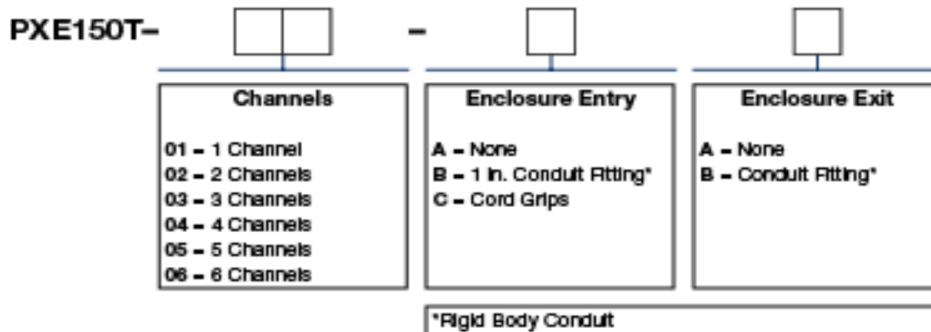
- ▶ For use with 4-20 mA Output Drivers
- ▶ Accommodates up to 6 Terminal Blocks
- ▶ Proximity Probe Drivers Sold Separately. All Newly Purchased Drivers Come Fully Installed and Wired



Specifications

Temperature Range	15° to 140°F (-10° to 60°C)
Enclosure Material	Fiberglass
Inputs	Screw Terminal Blocks
Outputs	BNC Jack for Dynamic Signal and Terminal Blocks
Sensor Input Options	298 x 349 x 176 mm
Rating	NEMA 4X
Dimensions	11.73 x 13.74 x 6.93 in (298 x 349 x 176 mm)
Resistance	Resistant to Hose Directed Fluid and Corrosion

Ordering Information



Lifetime Warranty on Materials & Workmanship

www.ctconline.com | sales@ctconline.com | 585-924-5900