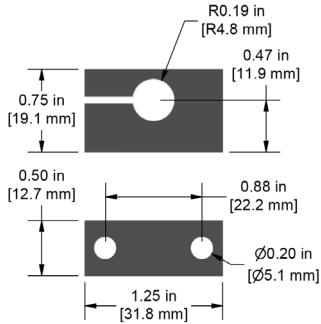


Proximity Probe Mounting Blocks

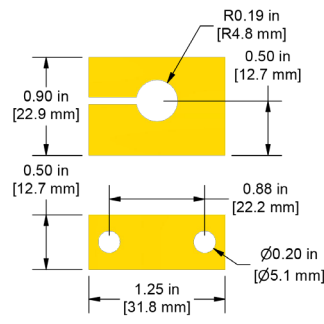


DM902-1A



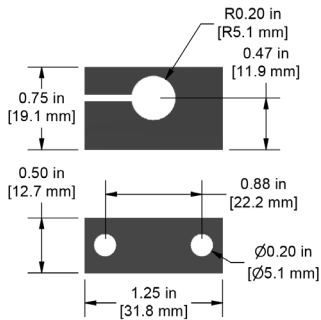
Aluminum Proximity Probe Mounting Block, Clamping Version, for 3/8-24 Probe Bodies

DM902-1B



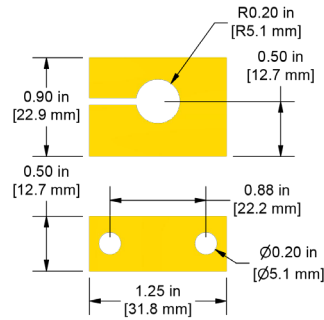
Phenolic Proximity Probe Mounting Block, Clamping Version, for 3/8-24 Probe Bodies

DM912-1A



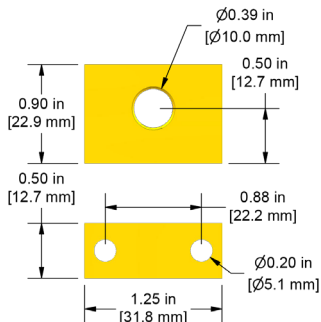
Aluminum Proximity Probe Mounting Block, Clamping Version, for M10x1 Probe Bodies

DM912-1B



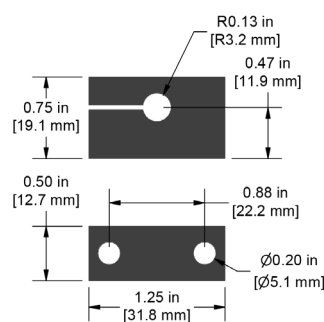
Phenolic Proximity Probe Mounting Block, Clamping Version, for M10x1 Probe Bodies

DM912-2B



Phenolic Proximity Probe Mounting Block, Non-Clamping Version, With M10x1 Threaded Hole

DM922-1A

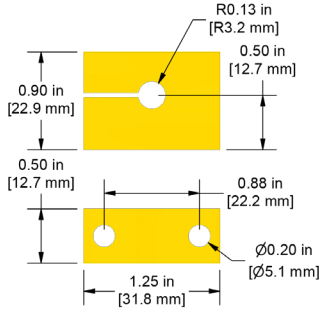


Aluminum Proximity Probe Mounting Block, Clamping Version, for 1/4-28 Probe Bodies

Proximity Probe Mounting Blocks

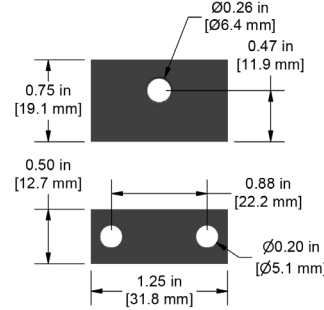


DM922-1B



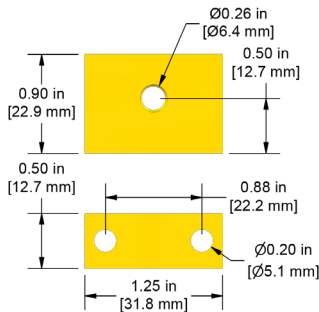
Phenolic Proximity Probe Mounting Block, Clamping Version, for 1/4-28 Probe Bodies

DM922-2A



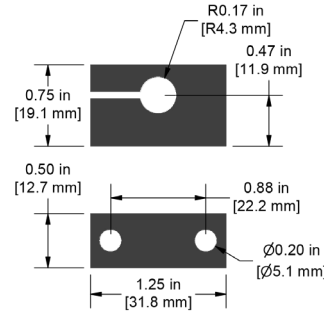
Aluminum Proximity Probe Mounting Block, Non-Clamping Version, With 1/4-28 Threaded Hole

DM922-2B



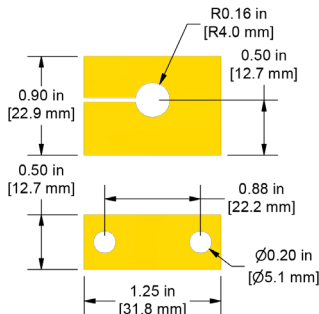
Phenolic Proximity Probe Mounting Block, Non-Clamping Version, With 1/4-28 Threaded Hole

DM932-1A



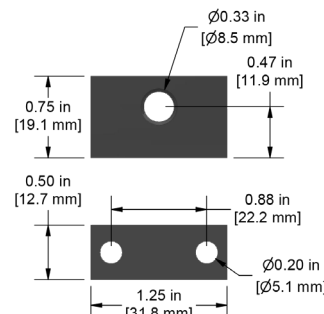
Aluminum Proximity Probe Mounting Block, Clamping Version, for M8x1 Probe Bodies

DM932-1B



Phenolic Proximity Probe Mounting Block, Clamping Version, for M8x1 Probe Bodies

DM932-2A



Aluminum Proximity Probe Mounting Block, Non-Clamping Version, for M8x1 Probe Bodies