

MX433 Standard Size



VIBRATION ANALYSIS HARDWARE

Triaxial Input & Output Maxx Box, Enclosed Individual 4 Pin Azima DLI Compatible Connectors, Stainless Steel Enclosure, NEMA 4X (IP66) Rated, Sensor Input Options: 4 Triaxial Output Sensors

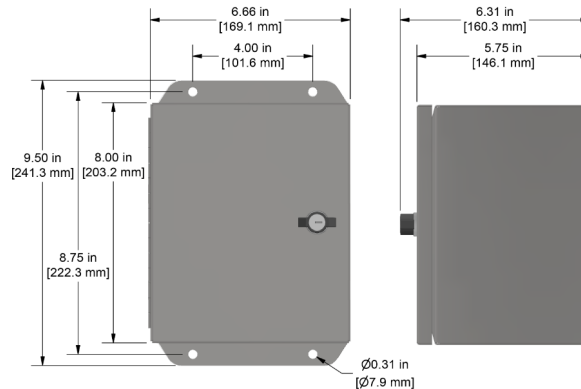


Product Features

Designed for Triaxial Data Collection

Internally earth grounded for noise reduction

- ▶ Provides 4 Triaxial connections for Azima DLI DCA/DCX Data Collection for up to 12 Measurement Channels. Compatible with C592, C540, and C342 Connectors
- ▶ Connects remotely installed sensors to Azima DLI Data Collectors
- ▶ Quick-release input terminal block located behind hinged panel



Specifications

Temperature Range	-58 to 180 °F (-50 to 82 °C)
Enclosure Material	Stainless Steel
Inputs	Terminal Blocks 5 Inputs (+,+,+,-, Shield)
Outputs	4 Pin Quick Lock Connector
Sensor Input Options	12 Channels
Rating	NEMA 4X
Door Closure	Twist Lock
Dimensions	6.66 x 9.50 x 6.31 in. (169 x 241 x 160 mm)
Cord Grips	Optional
Resistance	Resistant to Hose Directed Fluid and Corrosion

Backed by our Unconditional Lifetime Warranty

www.ctconline.com | sales@ctconline.com | 585-924-5900