

MX433 Extended Capacity



VIBRATION ANALYSIS HARDWARE

Triaxial Input & Output Maxx Box, Enclosed Individual 4 Pin Azima DLI Compatible Connectors, Stainless Steel Enclosure, NEMA 4X (IP66) Rated, Sensor Input Options: 8 to 16 Triaxial Output Sensors

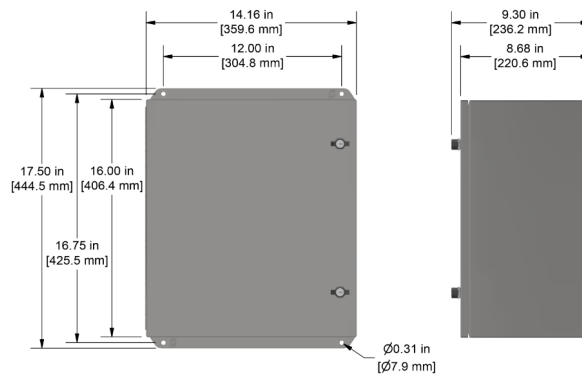


Product Features

Designed for Triaxial Data Collection

Internally earth grounded for noise reduction

- ▶ Provides 16 Triaxial connections for Azima DLI DCA/DCX Data Collection for up to 48 Measurement Channels. Compatible with C592, C540, and C342 Connectors.
- ▶ Connects remotely installed sensors to Azima DLI Data Collectors
- ▶ Quick-release input terminal block located behind hinged panel



Specifications

| | |
|----------------------|--|
| Temperature Range | -58 to 180 °F (-50 to 82 °C) |
| Enclosure Material | Stainless Steel |
| Inputs | Terminal Blocks 5 Inputs (+,+,+,-, Shield) |
| Outputs | 4 Pin Quick Lock Connector |
| Sensor Input Options | 24 to 48 Channels |
| Rating | NEMA 4X (IP66) |
| Door Closure | Twist Lock |
| Dimensions | 14.16 x 17.50 x 9.30 in. (360 x 445 x 236 mm) |
| Cord Grips | Optional |
| Resistance | Resistant to Hose Directed Fluid and Corrosion |

Backed by our Unconditional Lifetime Warranty

www.ctconline.com | sales@ctconline.com | 585-924-5900