

MX300-1A



VIBRATION ANALYSIS HARDWARE

Triaxial Input and Output MAXX Box Panel, Sensor Input Options: 4 Triaxial Output Sensors, Individual 4-Pin Azima DLI Compatible Connectors

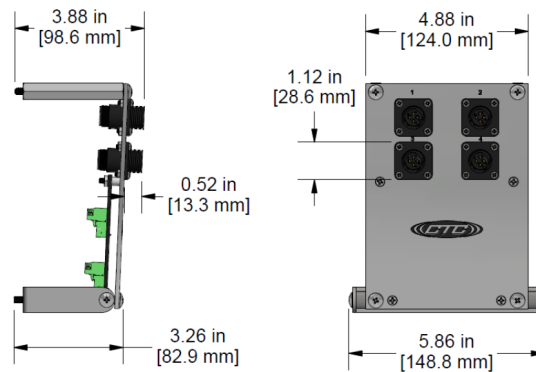


Product Features

Designed for Triaxial Data Collection

Provides 4 Triaxial connections for Azima DLI DCA/DCX Data Collection or up to 12 single axis sensor inputs

- ▶ Quick-release input terminal block located behind hinged panel



Specifications

Temperature Range	-58 to 180 °F (-50 to 82 °C)
Inputs	Terminal Blocks 5 Inputs (+,+,+,-, Shield)
Outputs	4 Pin Quick Lock Connector
Sensor Input Options	12 Channels

Backed by our Unconditional Lifetime Warranty

www.ctconline.com | sales@ctconline.com | 585-924-5900