

MX262



VIBRATION ANALYSIS HARDWARE

Stainless Steel MAXX Boxes with Sloped Top, Enclosed Individual BNC Connectors, Stainless Steel Enclosure, NEMA 4X (IP66) Rated, Sensor Input Options: 1 to 12 Single Output Sensors

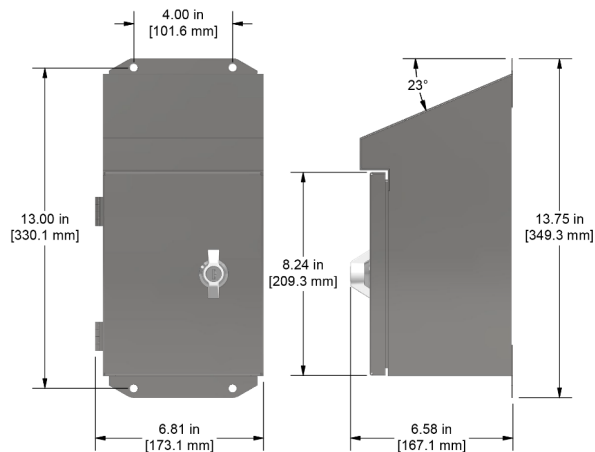


Product Features

Collect data from 12 remotely installed accelerometers in one safe and convenient location

Internally earth grounded for noise reduction

- ▶ Up to 12 BNC outputs are mounted in one, safe and convenient location for quick access
- ▶ Withstands harsh factory and outdoor environments



Specifications

Temperature Range	58 to 180 °F (-50 to 82 °C)
Enclosure Material	Stainless Steel
Inputs	Terminal Block 3 Inputs per Channel (+ - Shield)
Outputs	BNC Jack Per Channel, Electrically Isolated
Sensor Input Options	1 - 12 Channels
Rating	NEMA 4X
Door Closure	Twist Lock
Dimensions	6.24 x 13.75 x 6.12 in. (159 x 349 x 155 mm)
Resistance	Resistant to Hose Directed Fluid and Corrosion

Ordering Information

MX262 -

Enclosure Type	Channels	Input Options
Stainless Steel Enclosure with Sloped Top	1 - 1 Channel 7 - 7 Channels 2 - 2 Channels 8 - 8 Channels 3 - 3 Channels 9 - 9 Channels 4 - 4 Channels 10 - 10 Channels 5 - 5 Channels 11 - 11 Channels 6 - 6 Channels 12 - 12 Channels	A - User Defined* B - Conduit Fitting** C - Cord Grips

*No punch outs are provided in the enclosure for cable entry. User may install any fitting required.
 **For use with conduit.

Backed by our Unconditional Lifetime Warranty

www.ctconline.com | sales@ctconline.com | 585-924-5900