

MX102



VIBRATION ANALYSIS HARDWARE

Single Axis MAXX Box, Enclosed Individual BNC Connectors, Fiberglass Enclosure, NEMA 4X (IP66) Rated, Sensor Input Options: 1 to 12 Single Output Sensors

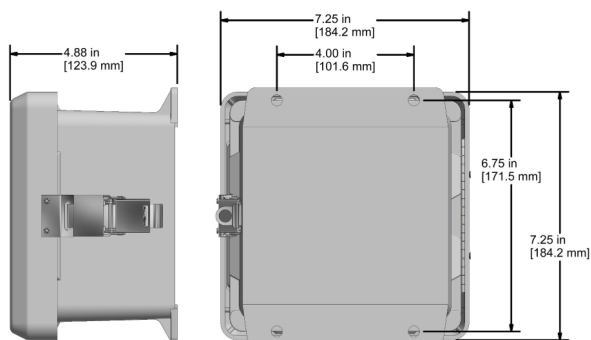


Product Features

Connects remotely installed sensors to portable data collectors

Internally earth grounded for noise reduction

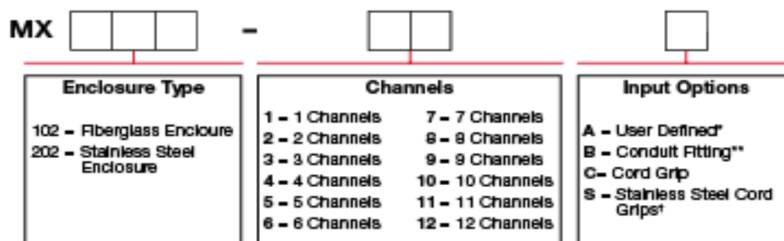
- ▶ Up to 12 BNC outputs are mounted in one, safe and convenient location for quick access
- ▶ Withstands harsh factory and outdoor environments
- ▶ Quick-release input terminal blocks



Specifications

| | |
|----------------------|--|
| Temperature Range | -58 to 180 °F (-50 to 82 °C) |
| Enclosure Material | Fiberglass |
| Inputs | Terminal Block 3 Inputs per Channel (+, -, Shield) |
| Outputs | BNC Jack per Channel, Electrically Isolated |
| Sensor Input Options | 1 - 12 Channel Options |
| Rating | NEMA 4X (IP66) |
| Door Closure | Snap Latch |
| Dimensions | 7.25 x 7.25 x 4.88 in. (184 x 184 x 124 mm) |
| Cord Grips | Optional |
| Resistance | Resistant to Hose Directed Fluid and Corrosion |

Ordering Information



*No punch outs are provided in the enclosure for cable entry. User may install any fitting required.
 **For use with conduit.
 *Stainless steel enclosure only.

Backed by our Unconditional Lifetime Warranty

www.ctconline.com | sales@ctconline.com | 585-924-5900