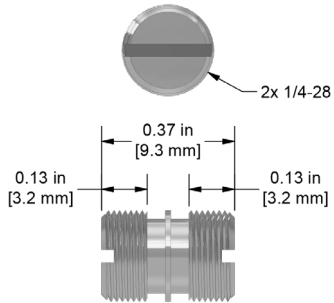


# Mounting Studs

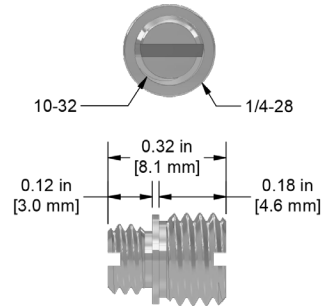


## MH108-1B



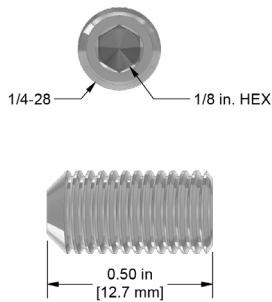
1/4-28 to 1/4-28  
Mounting Stud,  
303 Stainless Steel,  
0.37 in. (9.4 mm) Length

## MH108-3B



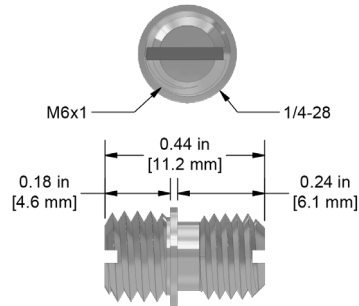
1/4-28 to 10-32  
Adapter Stud,  
303 Stainless Steel,  
0.32 in. (8 mm) Length

## MH108-4B



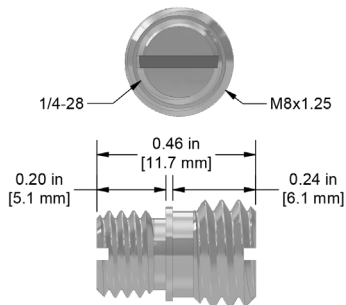
1/4-28 Mounting Screw,  
303 Stainless Steel,  
0.5 in. (13 mm) Length

## MH108-5B



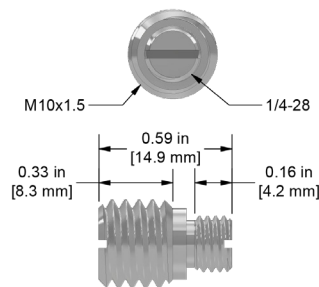
1/4-28 to M6x1  
Adapter Stud,  
303 Stainless Steel,  
0.44 in. (11 mm) Length

## MH108-6B



1/4-28 to M8x1.25  
Adapter Stud,  
303 Stainless Steel,  
0.5 in. (13 mm) Length

## MH108-7B



1/4-28 to M10x1.50  
Adapter Stud,  
303 Stainless Steel,  
0.63 in. (16 mm) Length

Backed by our Unconditional Lifetime Warranty

[www.ctconline.com](http://www.ctconline.com) | [sales@ctconline.com](mailto:sales@ctconline.com) | 585-924-5900