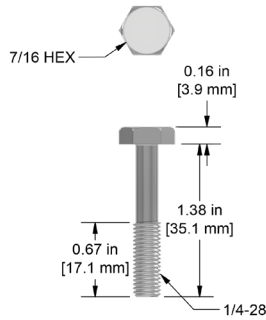


Mounting Bolts

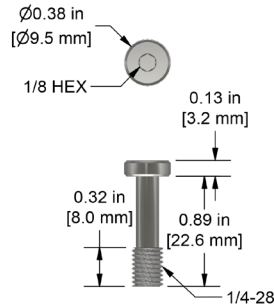


MH108-26B



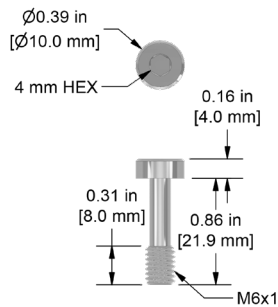
1/4-28 Captive Bolt for
CTC TA and VT Sensors,
18-8 Stainless Steel,
1.38 in. (35 mm) Length

MH108-34B



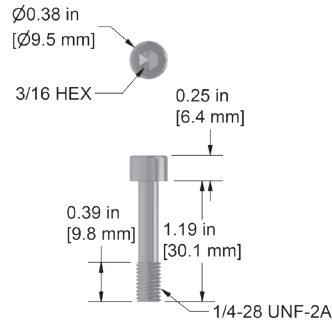
1/4-28 Captive Bolt with
Socket Head Cap for
TREA/TRCA Series Compact
Triaxial Accelerometers,
18-8 Stainless Steel,
0.89 in. (22.6 mm) Length

MH108-35B



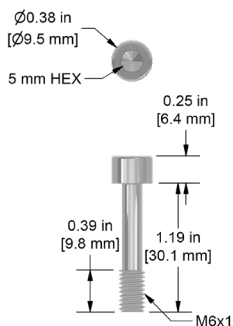
M6x1 Captive Bolt with
Socket Head Cap for
TREA/TRCA Series Compact
Triaxial Accelerometers,
18-8 Stainless Steel,
0.89 in. (22.6 mm) Length

MH108-40B



1/4-28 Captive Bolt with
Socket Head Cap for
TXEA/TXFA Series Large
Triaxial Sensors,
18-8 Stainless Steel,
1.19 in. (30.23 mm) Length

MH108-41B



M6x1 Captive Bolt with
Socket Head Cap for
TXEA/TXFA Series Large
Triaxial Sensors,
18-8 Stainless Steel,
1.19 in. (30.23 mm) Length

Backed by our Unconditional Lifetime Warranty

www.ctconline.com | sales@ctconline.com | 585-924-5900