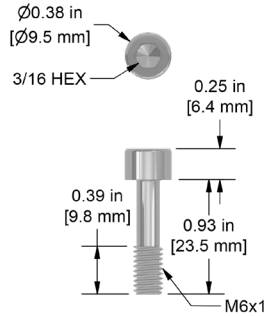


Mounting Bolts

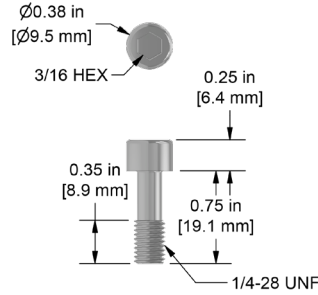


MH108-19B



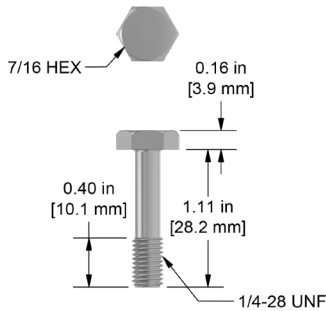
M6x1 Captive Bolt with Socket Head Cap for CTC M/AC119, M/AC115, M/AC230 and M/AC360 Sensors, 18-8 Stainless Steel, 0.93 in. (23 mm) Length

MH108-20B



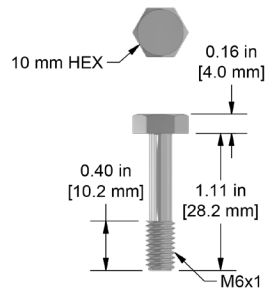
1/4-28 Captive Bolt Socket Head Cap for CTC Miniature Industrial Side Exit Sensors, 18-8 Stainless Steel, 0.75 in. (19 mm) Length

MH108-21B



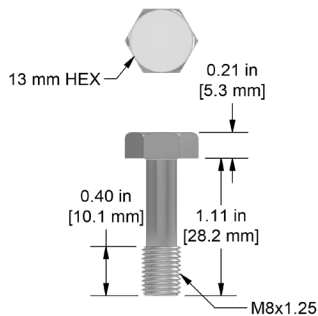
1/4-28 Captive Bolt, for CTC AC194 and AC294 Sensors, 18-8 Stainless Steel, 1.11 in. (28 mm) Length

MH108-22B



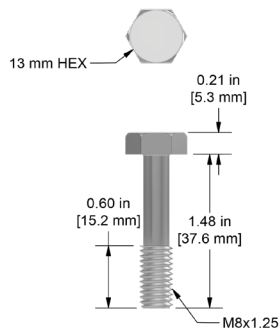
M6x1 Captive Bolt, for CTC M/AC194 and M/AC294 Sensors, 18-8 Stainless Steel, 1.11 in. (28 mm) Length

MH108-24B



M8x1.25 Captive Bolt for CTC AC198 Sensor, 18-8 Stainless Steel, 1.11 in. (28 mm) Length

MH108-25B



M8x1.25 Captive Bolt for Standard Size Side Exit Accelerometers, 18-8 Stainless Steel, 1.48 in. (38 mm) Length

Backed by our Unconditional Lifetime Warranty

www.ctconline.com | sales@ctconline.com | 585-924-5900