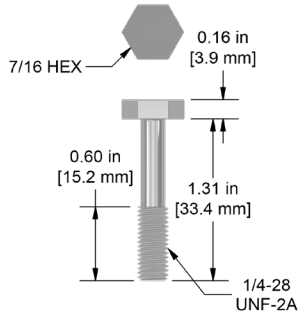


Mounting Bolts

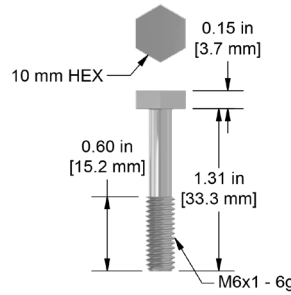


MH108-8B



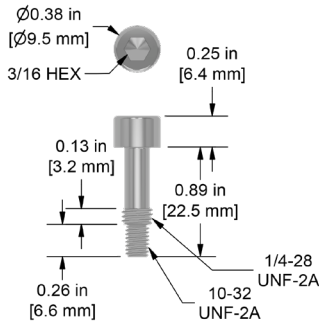
1/4-28 Captive Bolt for Standard Size Side Exit Sensors, 18-8 Stainless Steel, 1.31 in. (33 mm) Length

MH108-10B



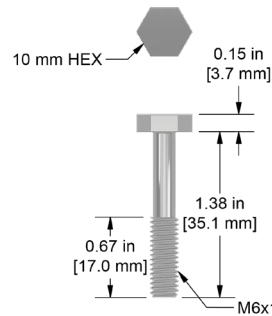
M6x1 Captive Bolt for Standard Side Exit Sensors, 18-8 Stainless Steel, 1.31 in. (33 mm) Length

MH108-11B



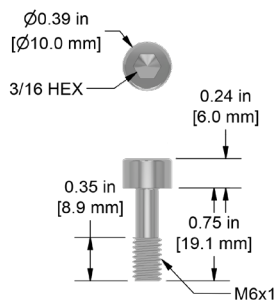
10-32 Adapter Bolt with Socket Head Cap for CTC AC119, AC115, AC230 and AC360 Sensors, 18-8 Stainless Steel, 0.89 in. (22 mm) Length

MH108-12B



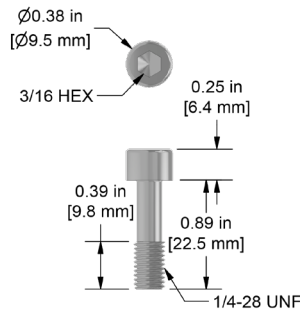
M6x1 Captive Bolt for 500 mV/g, 1000 mV/g Side Exit Sensors, 18-8 Stainless Steel, 1.38 in. (35 mm) Length

MH108-13B



M6x1 Captive Bolt with Socket Head Cap for Miniature Industrial Side Exit Sensors, 18-8 Stainless Steel, 0.75 in. (19 mm) Length

MH108-18B



1/4-28 Captive Bolt with Socket Head Cap for CTC AC119, AC115, AC230, and AC360 Sensors, 18-8 Stainless Steel, 0.89 in. (22 mm) Length

Backed by our Unconditional Lifetime Warranty

www.ctconline.com | sales@ctconline.com | 585-924-5900