

MMX2000



VIBRATION ANALYSIS HARDWARE

Single Axis Modular MAXX Box, Stainless Steel Enclosure, NEMA 4X (IP66) Rated, Includes up to 4 MMX-MOD3 Modular BNC Connection Modules for 3 to 12 Single Output Sensors

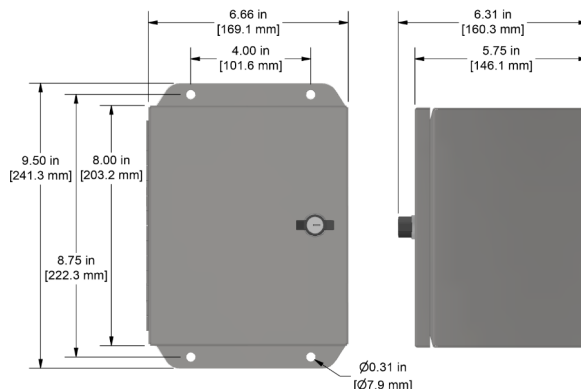


Product Features

Provides a safe, centralized data collection point

Internally earth grounded for noise reduction

- ▶ Connects up to 12 remotely installed sensors to portable data collectors, providing a safe data collection point for up to 12 measurement channels
- ▶ Buy the modules you need now, add more in the future
- ▶ Switch provided to tie common (-) signals for dual or triaxial sensors



Specifications

Temperature Range	-58 to 180 °F (-50 to 82 °C)
Enclosure Material	Stainless Steel
Inputs	Terminal Block 3 Inputs per Channel (#Shield)
Outputs	BNC Jack Per Channel
Sensor Input Options	3 - 12 Channels
Rating	NEMA 4X (IP66)
Door Closure	Twist Lock
Dimensions	6.66 x 9.50 x 6.31 in. (169 x 241 x 160 mm)
Resistance	Resistant to Hose Directed Fluid and Corrosion

Ordering Information

MMX -

Enclosure Type	Channels	Input Options
2000 = Stainless Steel Enclosure 6000 = Stainless Steel Enclosure with Sloped Top	3 = 3 Channels 6 = 6 Channels 9 = 9 Channels 12 = 12 Channels	A = User Defined* B = Conduit Fitting** C = Cord Grips S = Stainless Steel Cord Grips†

*No punch outs are provided in the enclosure for cable entry. User may install any fitting required.
 **For use with conduit.
 †Stainless Steel enclosures only.

Backed by our Unconditional Lifetime Warranty

www.ctconline.com | sales@ctconline.com | 585-924-5900