

MH153-1A



VIBRATION ANALYSIS HARDWARE

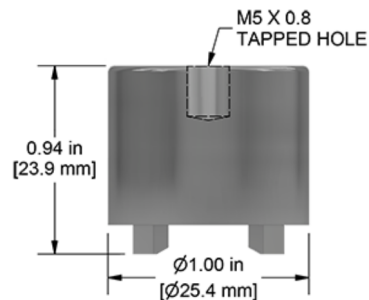
Multipurpose 2 Rail Magnet Mounting Base with M5x0.8 Blind Tapped Hole, 30 lbs. (14 kg) Pull Strength, 1 in. (25.4 mm) OD, 0.94 in. (23.88 mm) Height



Product Features

2 rail mounting system allows measurements on flat and curved surfaces

- ▶ Durable 303 Stainless Steel case and mounting hole
- ▶ High strength Neodymium Iron Boron magnet optimizes pull strength and performance
- ▶ Magnet Leg Rust Prevention Tips:
 - >Store the product in original packaging until it needs to be installed
 - >Ensure the steel is coated or oiled to prevent rusting



Specifications

Max Temperature	266 °F (130 °C)
Case Material	303 Stainless Steel
Magnet Material	Neodymium Iron Boron
Dimensions	1 in. (25.4 mm) OD, 0.94 in. (23.88 mm) Height
Pull Strength	30 lbs. (14 kg)
Sensor Mounting	M5x0.8 Mounting Hole

Chemical Compatibilities for Reference

- ▶ Gasoline - A
- ▶ Methanol - A
- ▶ Lubricants - A

Compatibility

- ▶ Compatible with all sensors with M5 mounting stud or bolt

Stock Product

Backed by our Unconditional Lifetime Warranty

www.ctconline.com | sales@ctconline.com | 585-924-5900