

MH151-1A

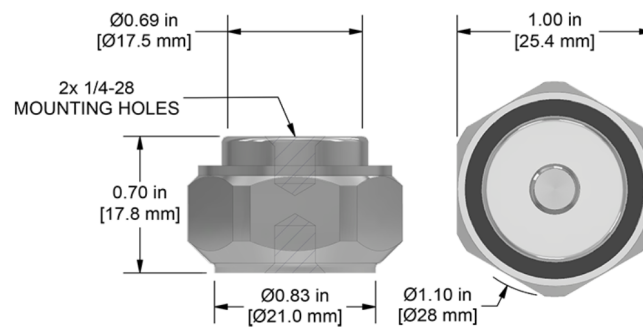
Electrically Isolated Mounting Pad, Double Sided 1/4-28 Blind Tapped Holes, 1.0 in. (25.4 mm) Diameter



VIBRATION ANALYSIS HARDWARE

Product Features

- ▶ Isolates sensors from electrical shock
- ▶ Isolated up to 2,000 volts



Specifications

Max Temperature	N/A
Case Material	17-4 Stainless Steel and Epoxy
Pull Strength	N/A
Sensor Mounting	1/4-28 Blind Tapped Hole
Field Mounting	1/4-28 Tapped Hole

Chemical Compatibilities for Reference

- ▶ Gasoline - A
- ▶ Methanol - A
- ▶ Lubricants - A

Compatibility

- ▶ Compatible with all sensors with 1/4-28 mounting stud or bolt
- ▶ Conversion mounting studs sold separately

Stock Product

Backed by our Unconditional Lifetime Warranty

www.ctconline.com | sales@ctconline.com | 585-924-5900