

MH144-2A

Triaxial Mounting Block with M6x1 Captive Bolt

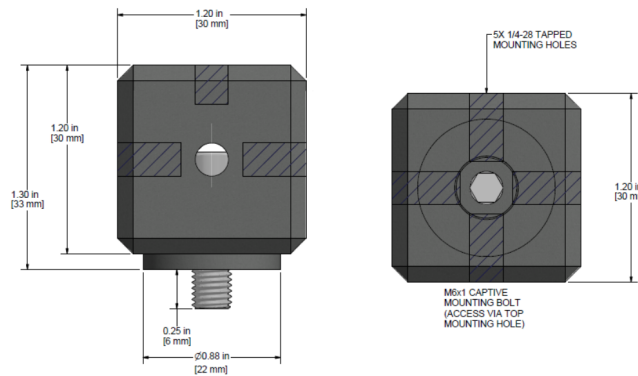


VIBRATION ANALYSIS HARDWARE



Product Features

- ▶ Low Cost
- ▶ Allows attachment of 3 single axis accelerometers
- ▶ Customizable positioning



Specifications

Case Material	17-4 Stainless Steel
Field Mounting	M6x1 Captive Bolt

Chemical Compatibilities for Reference

- ▶ Gasoline - A
- ▶ Methanol - A
- ▶ Lubricants - A

Compatibility

- ▶ Compatible with all single axis, top exit accelerometers
- ▶ Conversion mounting studs sold separately

Built to Order

Backed by our Unconditional Lifetime Warranty

www.ctconline.com | sales@ctconline.com | 585-924-5900