

# MH144-1A

Triaxial Mounting Block with 1/4-28 Captive Bolt

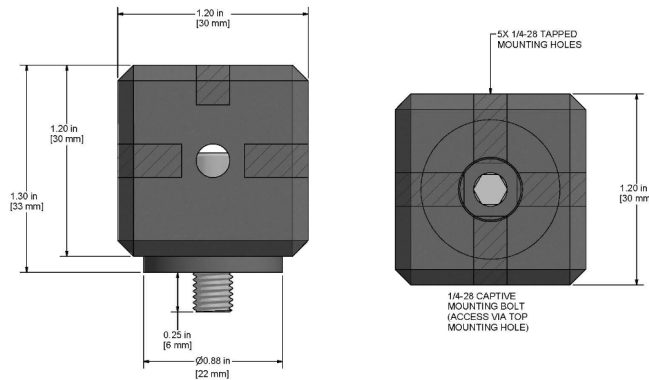


VIBRATION ANALYSIS HARDWARE



## Product Features

- ▶ Low Cost
- ▶ Allows attachment of 3 single axis accelerometers
- ▶ Customizable positioning



## Specifications

Case Material	17-4 Stainless Steel
Field Mounting	1/4-28 Captive Bolt

## Chemical Compatibilities for Reference

- ▶ Gasoline - A
- ▶ Methanol - A
- ▶ Lubricants - A

## Compatibility

- ▶ Compatible with all single axis, top exit accelerometers
- ▶ Conversion mounting studs sold separately

**Built to Order**

Backed by our Unconditional Lifetime Warranty

[www.ctconline.com](http://www.ctconline.com) | [sales@ctconline.com](mailto:sales@ctconline.com) | 585-924-5900