

# MH134-6B



VIBRATION ANALYSIS HARDWARE

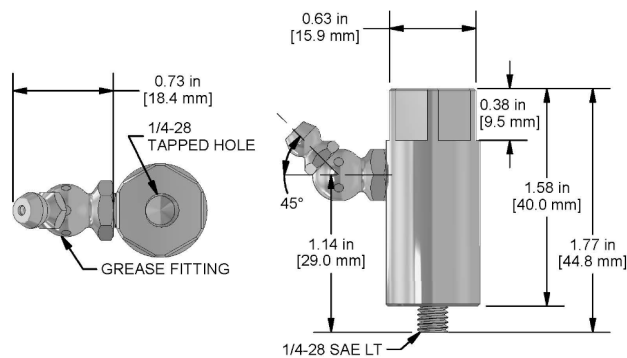
Hex Head Accelerometer Mounting Pad with 45° Zerk Grease Fitting Adapter, 1/4-28 Tapped Hole, 1/4 in. SAE-LT Grease Fitting Thread



## Product Features

Sensors can be magnet or stud mounted directly into Zerk grease fitting adapter

- ▶ Magnet mount or permanent mount accelerometers directly to top of Zerk adapter
- ▶ 45° Zerk fitting included
- ▶ Stainless steel case material



## Specifications

Case Material	17-4 Stainless Steel
Dimensions	1.77 in. (44.8 mm) x 0.63 in. (15.9 mm)
Sensor Mounting	1/4-28 Mounting Hole
Field Mounting	1/4-28 SAE-LT Adapter Mounting Thread

## Chemical Compatibilities for Reference

- ▶ Gasoline - A
- ▶ Methanol - A
- ▶ Lubricants - A

## Compatibility

- ▶ Compatible with any accelerometers with 1/4-28 stud or adapter
- ▶ Conversion mounting studs sold separately

Stock Product

Backed by our Unconditional Lifetime Warranty

[www.ctconline.com](http://www.ctconline.com) | [sales@ctconline.com](mailto:sales@ctconline.com) | 585-924-5900