

JB918-1A

Dual Input and Output SB Series Switch Box Panel, Sensor Input
Option: 8 Dual-Output Sensors



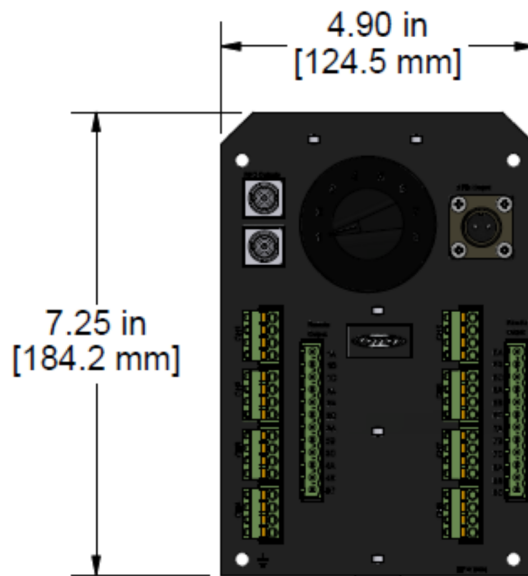
VIBRATION ANALYSIS HARDWARE



Product Features

Temperature / Acceleration access for up to 8 Dual-Output sensors.

- ▶ Provides a switched output from remotely installed dual output sensors to a data collector through a 2 BNC, or 1 BNC and 2 Pin MIL spec connector
- ▶ Quick-release input terminal blocks



Specifications

Temperature Range	-58 to 180 °F (-50 to 82 °C)
Inputs	Terminal Block, 4 Inputs per Channel (A,B,C,GND)
Outputs	2 BNC Jacks and 2 Pin MIL
Sensor Input Options	8

Backed by our Unconditional Lifetime Warranty

www.ctconline.com | sales@ctconline.com | 585-924-5900