

JB320



VIBRATION ANALYSIS HARDWARE

iBOX Dual Input & Output Sloped Top Vibration Switch Box,
Stainless Steel Enclosure, NEMA 4X (IP66) Rated, Sensor Input
Options: 4 to 12 Dual Output Sensors

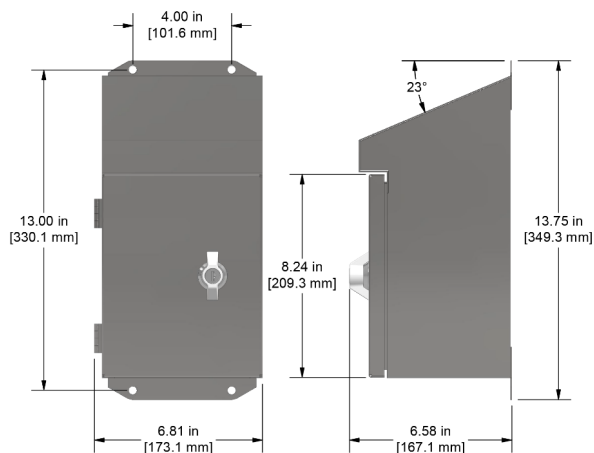


Product Features

Fully featured vibration junction box with IEPE sensor condition indicator lights, and convenient interface with fold-forward panel for easy wiring.

Includes an IEPE bias indicator light to identify when data is to be collected or to show open and short circuit conditions

- ▶ Accepts up to 12 dual output sensor inputs for a maximum of 24 channels of measurement
- ▶ Includes an IEPE bias indicator light to identify when data is to be collected or to show open and short circuit conditions
- ▶ Flip down panel allows for convenient wiring to terminal blocks



Specifications

Temperature Range	-58 to 180 °F (-50 to 82 °C)
Enclosure Material	Stainless Steel
Inputs	A, B, C, Shield
Outputs	2x BNC Jack and 3 Pin MIL
Continuous Output	Multi-Pin Connector for Interface with Online Systems (optional, requires JB931-3A)
Sensor Input Options	4, 6, 8, 10, 12
Rating	Nema 4X (IP66)
Door Closure	Twist Lock
Dimensions	6.24 x 13.75 x 6.12 in. (159 x 349 x 155 mm)
Cord Grips	Optional
Switch	3 Pole
Bias Indicator	1 Channel (A-Signal)
Resistance	Resistant to Hose Directed Fluid and Corrosion

Ordering Information

JB -

Enclosure Type	Channels	Input Options	Input Options
120 = Dual Channel Fiberglass Enclosure 220 = Dual Channel Stainless Steel Enclosure 320 = Dual Channel Stainless Steel Enclosure, Sloped Top	4 = 4 Channels 6 = 6 Channels 8 = 8 Channels 10 = 10 Channels 12 = 12 Channels	A = User Defined with Spring Cage Terminal Blocks* B = Conduit Fitting with Spring Cage Terminal Blocks** C = Nylon Cord Grips with Spring Cage Terminal Blocks N = Nickel-Plated Brass Cord Grips with Spring Cage Terminal Blocks* S = Stainless Steel Cord Grips with Spring Cage Terminal Blocks*	G = User Defined with Screw Terminal Blocks* H = Conduit Fitting with Screw Terminal Blocks** I = Nylon Cord Grips with Screw Terminal Blocks K = Stainless Steel Cord Grips with Screw Terminal Blocks* N = Nickel-Plated Brass Cord Grips with Screw Terminal Blocks*

*No punch cuts are provided in the enclosure for cable entry. User may install any fittings required.
 **For use with conduit.
 *Stainless Steel enclosures only.

Backed by our Unconditional Lifetime Warranty

www.ctconline.com | sales@ctconline.com | 585-924-5900