

JB230 Extended Capacity



VIBRATION ANALYSIS HARDWARE

iBOX Triaxial Input & Output Vibration Switch Box, Stainless Steel Enclosure, NEMA 4X (IP66) Rated, Sensor Input Options: 24 to 48 Triaxial Sensors

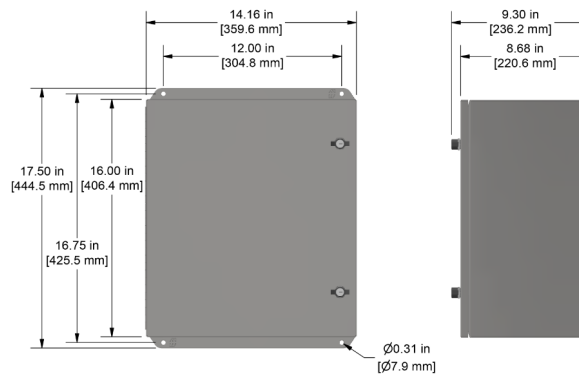


Product Features

Fully featured vibration junction box with IEPE sensor condition indicator lights, and convenient interface with fold-forward panel for easy wiring.

Internally earth grounded for noise reduction

- ▶ Accepts up to 48 triaxial sensor inputs for a maximum of 144 channels of measurement
- ▶ Includes an IEPE bias indicator light to identify when data is to be collected or to show open and short circuit conditions
- ▶ Flip down panel allows for convenient wiring to terminal blocks



Specifications

Temperature Range	-58 to 180 °F (-50 to 82 °C)
Enclosure Material	Stainless Steel
Inputs	A, B, C, D, Shield
Outputs	3x BNC Jack and 4 Pin 'J'
Continuous Output	Multi-Pin Connector for Interface with Online Systems (Optional) (Requires JB933-1A)
Sensor Input Options	24, 36, 48
Rating	NEMA 4X (IP66)
Door Closure	Twist Lock
Dimensions	14.16 x 17.50 x 9.30 in. (360 x 445 x 236 mm)
Cord Grips	Optional
Switch	4 Pole
Bias Indicator	3 Channel
Resistance	Resistant to Hose Directed Fluid and Corrosion

Backed by our Unconditional Lifetime Warranty

www.ctconline.com | sales@ctconline.com | 585-924-5900