

# JB210 Standard Size



VIBRATION ANALYSIS HARDWARE

iBOX Single Axis Vibration Switch Box, Stainless Steel Enclosure, NEMA 4X (IP66) Rated, Sensor Input Options: 4 to 12 Single Output Sensors

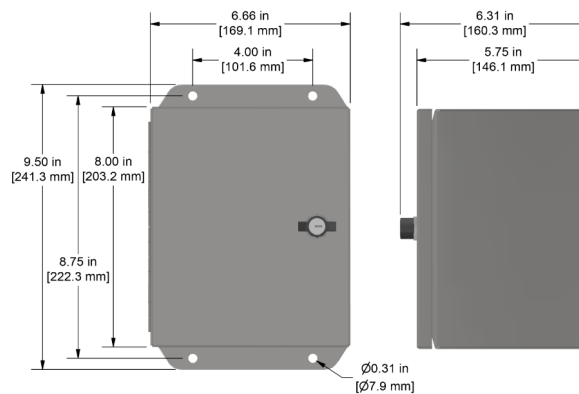


## Product Features

Fully featured vibration junction box with IEPE sensor condition indicator lights, and convenient interface with fold-forward panel for easy wiring.

Internally earth grounded for noise reduction

- ▶ Accepts up to 12 single output sensor inputs for a maximum of 12 channels of measurement
- ▶ Includes an IEPE bias indicator light to identify when data is to be collected or to show open and short circuit conditions
- ▶ Flip down panel allows for convenient wiring to terminal blocks



## Specifications

Temperature Range	-58 to 180 °F (-50 to 82 °C)
Enclosure Material	Stainless Steel
Inputs	+, -, Shield
Outputs	BNC Jack and 2 Pin MIL
Continuous Output	Multi-Pin Connector for Interface with Online Systems (requires JB907-3A)
Sensor Input Options	4, 6, 8, 10, 12
Rating	Nema 4X (IP66)
Door Closure	Twist Lock
Dimensions	6.66 x 9.50 x 6.31 in. (169 x 241 x 160 mm)
Cord Grips	Optional
Switch	2 Pole
Bias Indicator	1 Channel
Resistance	Resistant to Hose Directed Fluid and Corrosion

## Ordering Information

JB    -

Enclosure Type	Channels	Input Options (Spring Cage Terminal Blocks)	Input Options (Screw Terminal Blocks)
<b>110</b> = Single Channel Fiberglass Enclosure <b>210</b> = Single Channel Stainless Steel Enclosure <b>310</b> = Single Channel Stainless Steel Enclosure, Sloped Top	<b>4</b> = 4 Channels <b>6</b> = 6 Channels <b>8</b> = 8 Channels <b>10</b> = 10 Channels <b>12</b> = 12 Channels	<b>A</b> = User Defined with Spring Cage Terminal Blocks* <b>B</b> = Conduit Fitting with Spring Cage Terminal Blocks** <b>C</b> = Nylon Cord Grips with Spring Cage Terminal Blocks <b>E</b> = BNC Cable Connection with Spring Cage Terminal Blocks <b>N</b> = Nickel-Plated Brass Cord Grips with Spring Cage Terminal Blocks <b>S</b> = Stainless Steel Cord Grips with Spring Cage Terminal Blocks†	<b>G</b> = User Defined with Screw Terminal Blocks* <b>H</b> = Conduit Fitting with Screw Terminal Blocks** <b>I</b> = Nylon Cord Grips with Screw Terminal Blocks <b>J</b> = BNC Cable Connection with Screw Terminal Blocks <b>K</b> = Stainless Steel Cord Grips with Screw Terminal Blocks† <b>L</b> = Nickel-Plated Brass Cord Grips with Screw Terminal Blocks†

\*No punch cuts are provided in the enclosure for cable entry. User may install any fittings required.  
 \*\*For use with conduit.  
 †Stainless Steel enclosures only.

Backed by our Unconditional Lifetime Warranty

www.ctconline.com | sales@ctconline.com | 585-924-5900