

Hazardous-Area Approved DD100980 Series



Intrinsically Safe Eddy Current Driver Compatible with FFv™ 5 mm Proximity Probe Systems, Voltage Output

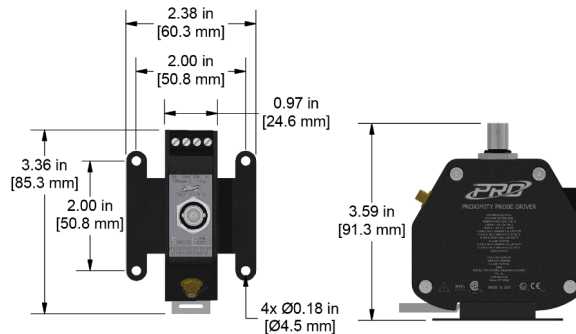


Product Features

Continuous Monitoring in Hazardous Areas

Driver assembly offers multiple options for mounting and easy connection via screw terminals

- ▶ Flexible system configuration
- ▶ Upgraded to include SecureLock connector



Specifications

Temperature Range	-49 to 185 °F (-45 to 85 °C)
Enclosure	Aluminum
Probe Connector	SecureLock
Power & Output Connector	4 Position Terminal Block
Input Voltage	-17.5 to -30 VDC
Linear Range	10-70 mils (0.25 - 1.78 mm)
Nominal Voltage Output	-200 mV/mil (-7.87 V/mm)

Built to Order

Optional Regulatory Approvals

US & Canada:

Class I Division 1 Groups A, B, C, D
 Class II Division 1 Group E, F, G
 Class III
 Class I Zone 0 AEx ia IIC
 Class I Division 2 Groups A, B, C, D
 Class II Division 2 Groups E, F, G
 Ex ia IIC Ga

ATEX:

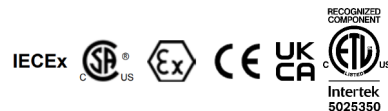
SIRA 16ATEX2084X
 Ex ia IIC

International (IECEx):

IECEx CSA 16.0017X
 Ex ia IIC

Temperature Codes:

T4 = -45°C to 100°C
 T5 = -35°C to 85°C



CSA, ATEX, IECEx Approvals Require Intrinsically Safe Barrier Driver must be mounted in a NEMA 4x and/or IP6x enclosure
FOR REFERENCE ONLY, PLEASE REFER TO CONTROL DRAWING

Lifetime Warranty on Materials & Workmanship

www.ctconline.com | sales@ctconline.com | 585-924-5900