

# Hazardous-Area Approved DD100970 Series



Intrinsically Safe FFv™ 5 mm PRO Proximity Probe Driver for Eddy Current Probe, 4-20 mA Output

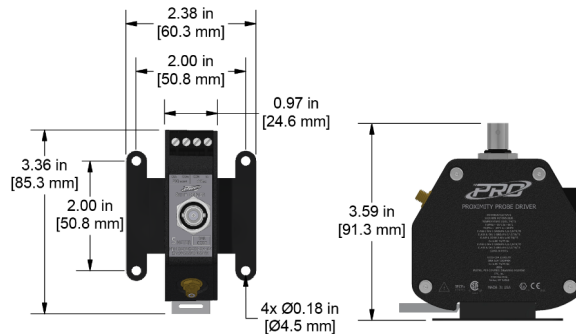


## Product Features

Continuous Monitoring in Hazardous Areas

Driver assembly offers multiple options for mounting and easy connection via screw terminals

- ▶ 4-20 mA current loop provides power to the driver, and a displacement output proportional to the DC gap
- ▶ Flexible system configuration
- ▶ Upgraded to include SecureLock connector



## Specifications

Temperature Range	-49 to 185 °F (-45 to 85 °C)
Enclosure	Aluminum
Probe Connector	SecureLock
Power & Output Connector	4 Position Terminal Block
Input Voltage	-17.5 to -30 VDC
Linear Range	10-70 mils (0.25 - 1.78 mm)
Nominal Voltage Output	-200 mV/mil (-7.87 V/mm)
4-20 mA Output Proportional To	Dynamic Displacement

**Built to Order**

## Optional Regulatory Approvals

### US & Canada:

Class I Division 1 Groups A, B, C, D  
 Class II Division 1 Group E, F, G  
 Class III  
 Class I Zone 0 AEx ia IIC  
 Class I Division 2 Groups A, B, C, D  
 Class II Division 2 Groups E, F, G  
 Ex ia IIC Ga

### ATEX:

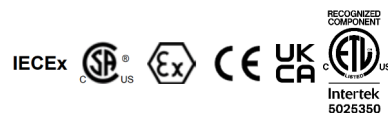
SIRA 16ATEX2084X  
 Ex ia IIC

### International (IECEX):

IECEX CSA 16.0017X  
 Ex ia IIC

### Temperature Codes:

T4 = -45°C to 100°C  
 T5 = -35°C to 85°C



CSA, ATEX, IECEX Approvals Require Intrinsically Safe Barrier Driver must be mounted in a NEMA 4x and/or IP6x enclosure  
**FOR REFERENCE ONLY, PLEASE REFER TO CONTROL DRAWING**

**Lifetime Warranty on Materials & Workmanship**

www.ctconline.com | sales@ctconline.com | 585-924-5900