

Hazardous-Area Approved DD100880 Series



Intrinsically Safe Eddy Current Driver Compatible with 11 mm Proximity Probe Systems, Voltage Output

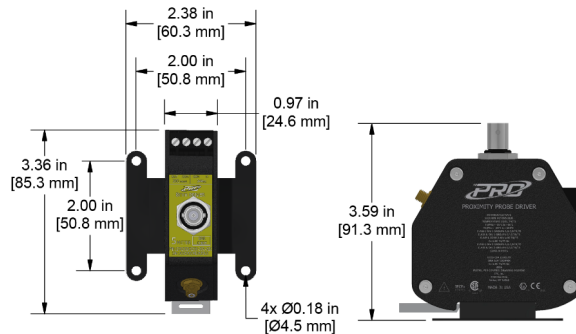


Product Features

Continuous Monitoring in Hazardous Locations

Driver Assembly offers multiple options for mounting and easy connection via screw terminals

- ▶ DC gap and shaft vibration signals available via terminal block for analysis or monitoring
- ▶ Flexible system configuration
- ▶ Upgraded to include SecureLock connector



Specifications

Temperature Range	-49 to 185 °F (-45 to 85 °C)
Enclosure	Anodized Aluminum
Probe Connector	SecureLock
Power & Output Connector	4 Position Terminal Block
Input Voltage	-17.5 to -30 VDC
Linear Range	25-525 mils (0.63-13.33 mm)
Nominal Voltage Output	-20 mV/mil (-0.787 V/mm)

Built to Order

Optional Regulatory Approvals

US & Canada:

Class I Division 1 Groups A, B, C, D
 Class II Division 1 Group E, F, G
 Class III
 Class I Zone 0 AEx ia IIC
 Class I Division 2 Groups A, B, C, D
 Class II Division 2 Groups E, F, G
 Ex ia IIC Ga

ATEX:

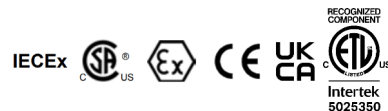
SIRA 16ATEX2084X
 Ex ia IIC

International (IECEx):

IECEx CSA 16.0017X
 Ex ia IIC

Temperature Codes:

T4 = -45°C to 100°C
 T5 = -35°C to 85°C



CSA, ATEX, IECEx Approvals Require Intrinsically Safe Barrier Driver must be mounted in a NEMA 4x and/or IP6x enclosure
FOR REFERENCE ONLY, PLEASE REFER TO CONTROL DRAWING

Lifetime Warranty on Materials & Workmanship

www.ctconline.com | sales@ctconline.com | 585-924-5900