

DSB6000



VIBRATION ANALYSIS HARDWARE

Dual Input & Output, Sloped Top, Modular Vibration Switch Box, Stainless Steel Enclosure, NEMA 4X (IP66) Rated, Includes DSB-MOD(X) 1 to 8 Dual Output Sensor Input Switch Module

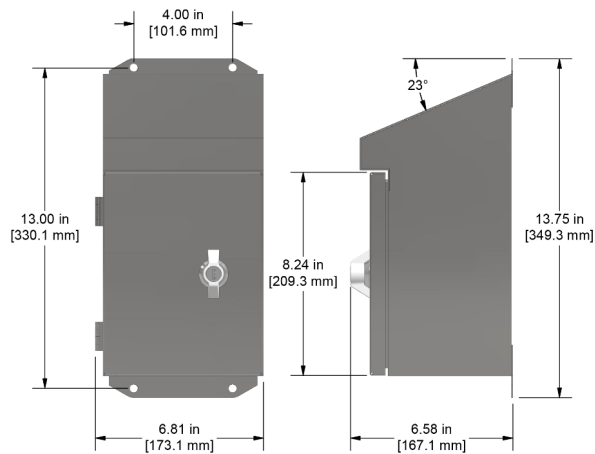


Product Features

Enclosure with DIN rail mountable modules for multiple dual inputs and switched outputs

Internally earth grounded for noise reduction

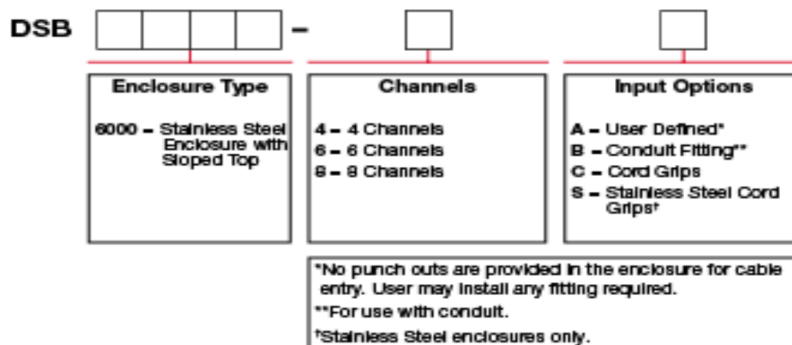
- ▶ Provides a switched output from up to 8 remotely installed dual output sensors to a data collector through two BNCs, or 3 pin MIL spec connector
- ▶ Quick-release input terminal blocks



Specifications

Temperature Range	-58 to 180 °F (-50 to 82 °C)
Enclosure Material	Stainless Steel
Inputs	Terminal Block, 4 Inputs per Channel (A,B,C,GND)
Outputs	2 BNC Jacks & 3 Pin Connector
Continuous Output	Multi-Pin Connector for Interface with Online Systems (optional) Requires JB931-3A
Sensor Input Options	4 - 8 Channels
Rating	NEMA 4X
Door Closure	Twist Lock
Dimensions	6.24 x 13.75 x 6.12 in. (159 x 349 x 155 mm)
Resistance	Resistant to Hose Directed Fluid and Corrosion

Ordering Information



Backed by our Unconditional Lifetime Warranty

www.ctconline.com | sales@ctconline.com | 585-924-5900