

DSB4000



VIBRATION ANALYSIS HARDWARE

Dual Input & Output Modular Vibration Switch Box, Stainless Steel Enclosure, NEMA 4X (IP66) Rated, Includes up to 4 DSB-MOD(X) Switch Modules for 8, 16, 24, or 32 Dual Output Sensor Inputs

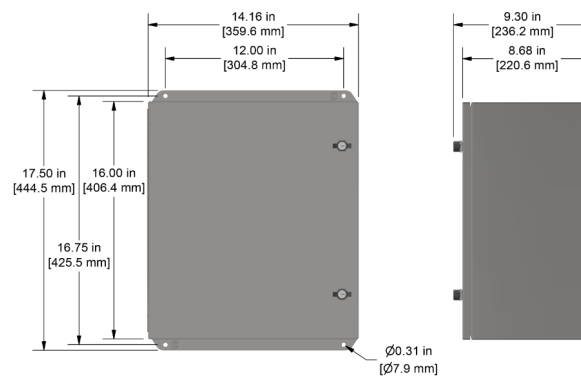


Product Features

Optional multi-pin connector for interface with on line systems (requires JB931-3A)

Internally earth grounded for noise reduction

- ▶ Provides a switched output from up to 32 remotely installed dual output sensors to a data collector through two BNCs, or 3 Pin MIL spec connector
- ▶ Modules feature external BNC and 2 or 3 Pin connection options to suit your preferred data collector
- ▶ Modular design provides flexible upgrade option



Specifications

Temperature Range	-58 to 180 °F (-50 to 82 °C)
Enclosure Material	Fiberglass
Inputs	Terminal Block, 4 Inputs per Channel (A,B,C,GND)
Outputs	2 BNC Jacks and 3 Pin MIL
Continuous Output	Optional Multi-Pin Connector for Interface with Online Systems (Requires JB931-3A)
Sensor Input Options	8, 16, 24, 32
Rating	NEMA 4X (IP66)
Door Closure	Twist Lock
Dimensions	14.16 x 17.50 x 9.30 in. (360 x 445 x 236 mm)
Resistance	Resistant to Hose Directed Fluid and Corrosion

Ordering Information

Backed by our Unconditional Lifetime Warranty

www.ctconline.com | sales@ctconline.com | 585-924-5900