

# DSB3000



VIBRATION ANALYSIS HARDWARE

Dual Input & Output Modular Vibration Switch Box, Fiberglass Enclosure, NEMA 4X (IP66) Rated, Includes up to 4 DSB-MOD(X) Switch Modules for 8, 16, 24, or 32 Dual Output Sensor Inputs

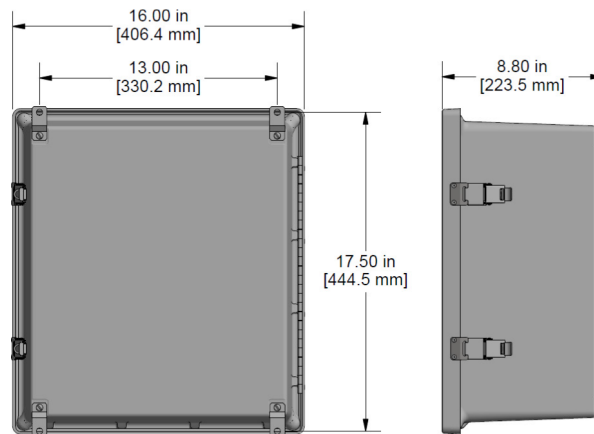


## Product Features

Enclosure with DIN Rail Mountable Modules for Multiple Dual Inputs and Switched Outputs

Internally earth grounded for noise reduction

- ▶ Provides a switched output from up to 32 remotely-installed dual output sensors to a data collector through two BNCs, or 3 Pin MIL spec connector
- ▶ Modules feature external BNC and 2 or 3 Pin connection options to suit your preferred data collector
- ▶ Modular design provides flexible upgrade option



## Specifications

Temperature Range	-58 to 180 °F (-50 to 82 °C)
Enclosure Material	Fiberglass
Inputs	Terminal Block, 4 Inputs per Channel (A, B, C, GND)
Outputs	2 BNC Jacks and 3 Pin MIL
Continuous Output	Optional Multi-Pin Connector for Interface with Online Systems (requires JB931-3A)
Sensor Input Options	8, 16, 24, 32
Rating	NEMA 4X
Door Closure	Snap Latch
Dimensions	16.00 x 17.50 x 8.80 in. (406 x 445 x 224 mm)
Resistance	Resistant to Hose Directed Fluid and Corrosion

## Ordering Information

Backed by our Unconditional Lifetime Warranty

[www.ctconline.com](http://www.ctconline.com) | [sales@ctconline.com](mailto:sales@ctconline.com) | 585-924-5900