

DSB2000



VIBRATION ANALYSIS HARDWARE

Dual Input & Output Modular Vibration Switch Box, Stainless Steel Enclosure, NEMA 4X (IP66) Rated, Includes DSB-MOD(X) 1 to 8 Dual Output Sensor Input Switch Module

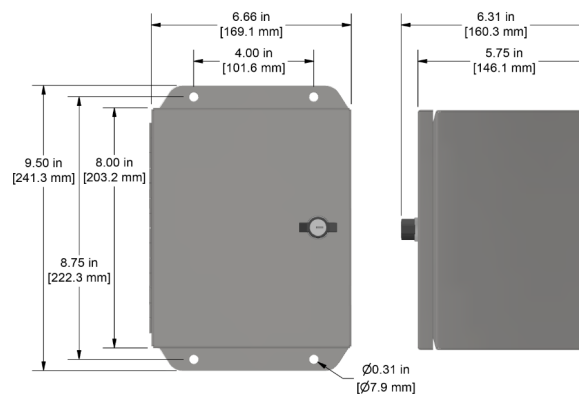


Product Features

Enclosure with DIN Rail Mountable Modules for Multiple Dual Inputs and Switched Outputs

Internally earth grounded for noise reduction

- ▶ Provides a switched output from up to 8 remotely installed dual output sensors to a data collector through two BNCs, or 3 Pin MIL spec connector
- ▶ Modules feature external BNC and 2 or 3 Pin connection options to suit your preferred data collector
- ▶ Modular design provides flexible upgrade option



Specifications

Temperature Range	-72 to 180 ° (-58 to 82 °C)
Enclosure Material	Stainless Steel
Inputs	Terminal Block, 4 Inputs per Channel (A,B,C,GND)
Outputs	2 BNC Jacks and 3 Pin MIL
Continuous Output	Optional Multi-Pin Connector for Interface with Online Systems (Requires JB931-3A)
Sensor Input Options	4, 6, 8
Rating	NEMA 4X (IP66)
Door Closure	Twist Lock
Dimensions	6.66 x 9.50 x 6.31 in. (169 x 241 x 160 mm)
Resistance	Resistant to Hose Directed Fluid and Corrosion

Ordering Information

Backed by our Unconditional Lifetime Warranty

www.ctconline.com | sales@ctconline.com | 585-924-5900