

# DSB-MOD8

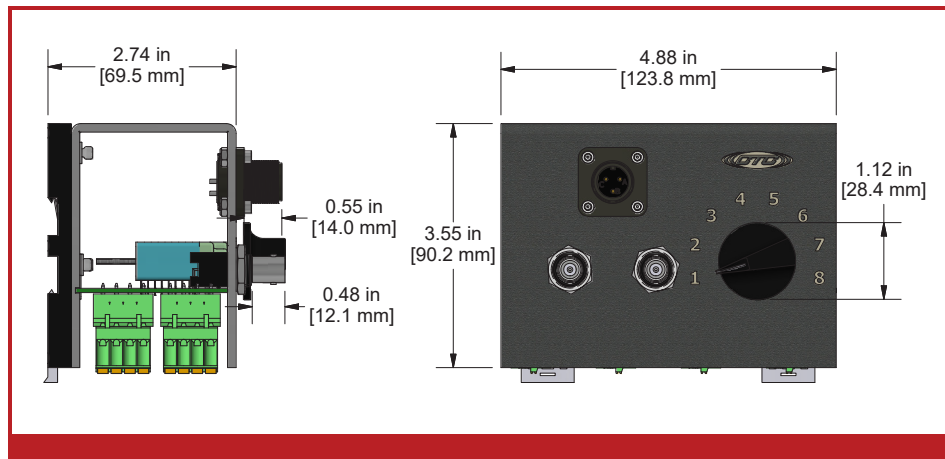
Dual Output Switch Module



## Product Features

Provides a switched output from remotely installed dual output sensors to a data collector through 2 BNCs, or 3 Pin MIL spec connector

Quick release input terminal blocks

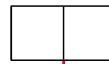


## Ordering Information

DSB-MOD



-



### Channels

8 = 8 Channels

### Optional Output

Blank = None  
CO = Continuous Output Option

Backed by our Unconditional Lifetime Warranty

[www.ctconline.com](http://www.ctconline.com) | [sales@ctconline.com](mailto:sales@ctconline.com) | 585-924-5900