

DM95000

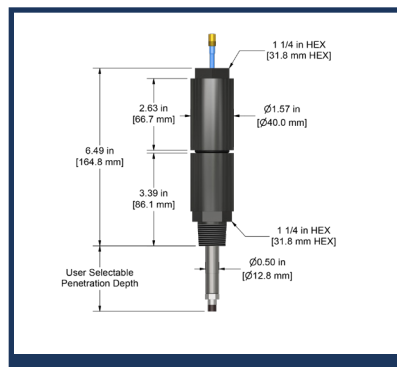
Reverse Mount Proximity Probe Housing



Product Features

Protect important proximity probe instruments in harsh manufacturing conditions. Easily adjust the gap between machine shaft and probe or replace an extension cable without machine shutdown.

- Convenient wrench flats for installation
- Viton® O-ring sealed probe sleeve and housing
- Crush washer included to seal sleeve interior between reverse mount probe & penetration sleeve



Specifications

Temperature Range: -31 °F to 340 °F (-35 °C to 171 °C)

Anodized Aluminum Body with 316L Stainless Steel Sleeve

Proximity Probe penetration depths from 0.5 in. to 12.5 in.*

3/4"-14 NPT Mounting Thread

Weight: 1.2 lbs (19.2 oz) without probe installed

Only compatible with reverse mount, 3/8"-24 threaded probes

Optional standoff adapter allows for easier access for mounting and adjusting a proximity probe

IP66 Rated**

*If a standoff adapter is selected, penetration depth will be shortened by the height of the adapter. **PTFE tape utilized to seal NPT plugs.

Ordering Information

Standoff Adapter	Penetration Option	Fitting Option
<p>00 = No Standoff</p> <p>02 = 2.0 in.</p> <p>05 = 5.0 in.</p>	<p>022 = 2.2 in.</p> <p>032 = 3.2 in.</p> <p>042 = 4.2 in.</p> <p>052 = 5.2 in.</p> <p>062 = 6.2 in.</p> <p>072 = 7.2 in.</p> <p>082 = 8.2 in.</p> <p>092 = 9.2 in.</p> <p>102 = 10.2 in.</p> <p>112 = 11.2 in.</p> <p>122 = 12.2 in.</p>	<p>00 = No Fitting, One Hole Seal</p> <p>03 = One 3/4"-14 to 3/8"-14 NPT Reducer; One Cable Seal Grip</p> <p>04 = One 3/4"-14 NPT Plug Only</p>

Backed by our Best in Class Warranty
www.ctconline.com | sales@ctconline.com | 585-924-5900