

# DD100991 Series

FFv™ 5 mm PRO Proximity Probe Driver for Eddy Current Probe,  
4-20mA Axial Application

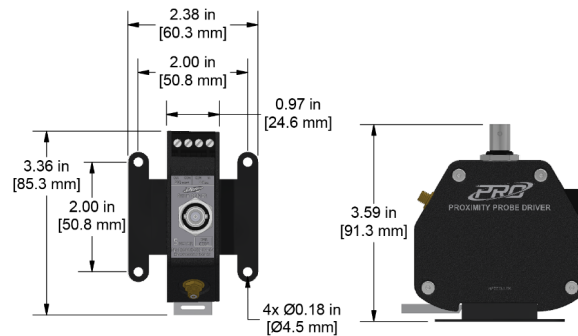


## Product Features

PRO Line Proximity Drivers pair with PRO Line Proximity Probes to offer configurable machinery protection with high quality components and industry best lead time

4-20mA current loop provides power to the driver, and a current output proportional to DC Displacement

- ▶ Isolated voltage output standard at BNC and terminal block Vout and Com
- ▶ Isolated voltage output at the BNC
- ▶ Upgraded to include SecureLock connector



## Specifications

Temperature Range	-49 to 185 °F (-45 to 85 °C)
Enclosure	Aluminum
Probe Connector	SecureLock
Power & Output Connector	4 Position Terminal Block & BNC
Input Voltage	-17.5 to -30 VDC
Linear Range	10-70 mils (0.25 - 1.78 mm)
Nominal Voltage Output	-200 mV/mil (-7.87 V/mm)
4-20 mA Output Proportional To	DC Displacement, Thrust

**Built to Order**

Lifetime Warranty on Materials & Workmanship  
www.ctconline.com | sales@ctconline.com | 585-924-5900