

# DD100790 Series



11 mm PRO Proximity Probe Driver for Eddy Current Probe, 4-20 mA Radial Applications

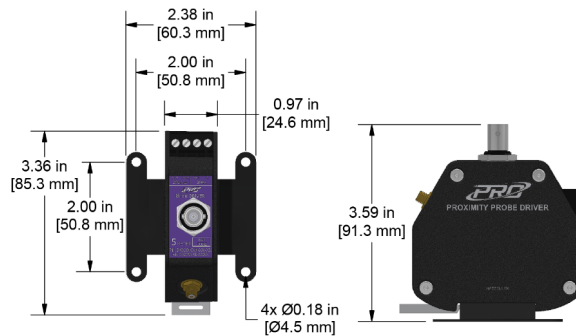


## Product Features

PRO Line Proximity Drivers pair with PRO Line Proximity Probes to offer configurable machinery protection with high quality components and industry best lead time

4-20mA current loop provides power to the driver, and a current output proportional to AC Displacement

- ▶ Isolated voltage output standard at BNC and terminal block Vout and Com
- ▶ Isolated voltage output at the BNC
- ▶ Upgraded to include SecureLock connector



## Specifications

Temperature Range	-49 to 185 °F (-45° to 85 °C)
Enclosure	Aluminum
Probe Connector	SecureLock
Power & Output Connector	4 Position Terminal Block & BNC
Input Voltage	-17.5 to -30 VDC
Linear Range	20-180 mils (0.5 - 4.5 mm)
Nominal Voltage Output	-100 mV/mil (-3.94 V/mm)
4-20 mA Output Proportional To	AC Displacement, Pk-Pk

**Built to Order**

Lifetime Warranty on Materials & Workmanship  
www.ctconline.com | sales@ctconline.com | 585-924-5900